



- 1 1/4" NPT
- Lead Free Brass Body
- 2-Way Piloted Diaphragm
- Normally Closed

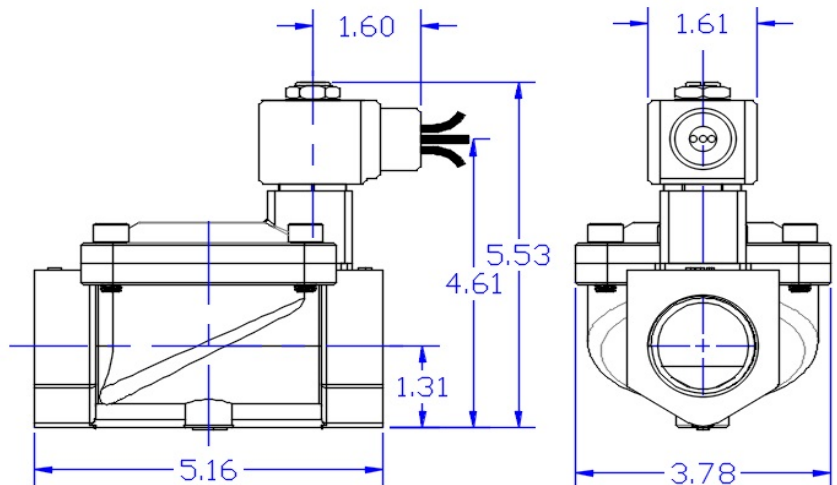


Materials	Seals:	NSF Approved Ethylene Propylene
	Orifice:	Lead Free Brass
Electrical	Standard Housing:	Encapsulated Waterproof Conduit (NEMA 4X)
	Optional Housings:	Metal Conduit, Explosion-Proof (NEMA 7), Grommet Open Frame, Junction Box (single or dual knockouts), DIN, Contact GC Valves Customer Svc. For others.
	Standard Voltages:	24, 120, 240, AC, 60 and/or 50 Hz. Available 6, 12, 24 DC Contact GC Valves Customer Svc. For Additional Voltages
	Voltage Tolerance:	± 10% of applicable voltage
	Coil Classes:	F, H, N
	Standard Lead Length:	24 inches
Operating Temperature	Ambient (Nominal):	32° F to 125° F
Mounting	Position:	Upright and Vertical
Approvals*	Agency:	NSF/ANSI - 61/ NSF-372/ UR -CSA Recognized

\* Not available for all variations

## Dimensions / Weight

<b>Weight (Lbs.)</b>
6.2



GC Valves Customer Service: 800-828-0484 (7:30 AM to 5:00 PM ET)

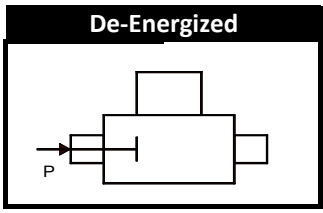
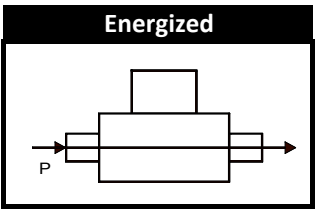
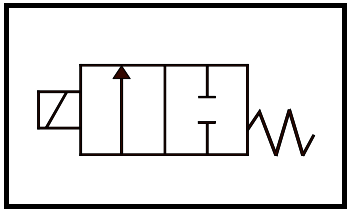
1-1-4-B-NS711-1



# NS711 - 1 1/4" NPT, Lead Free Brass Body, Normally Closed

## Valve Selection List

Normally Closed



Pipe Size	Orifice Size	Cv	Operating Pressure Differential (PSI)								Max. Fluid Temp. °F	Seal Material	Power Consumption (Watts)		Model Code (120V/60HZ-110V/50HZ) Shown	
			Minimum	Maximum									AC	DC	Lead Free Brass Body	
				Air/Gas		Water		Light Oil		Steam*						
NPT	In.		AC	DC	AC	DC	AC	DC	AC	DC		AC	DC			
1 1/4"	1 1/4"	22	8	200	150	200	150	---	---	50	50	295	EPR	8	9	NS711GF02C9GJ2

## Part Numbering

1	2	3	4	5	6	7	8	9	10	11	12	13
<b>NS</b>	<b>7</b>	<b>1</b>	<b>1</b>	<b>G</b>	<b>F</b>	<b>0</b>	<b>2</b>	<b>C</b>	<b>9</b>	<b>G</b>	<b>J</b>	<b>2</b>
Series		Operating Mode		Hsg	Coil		Voltage		Seal Mat'l	Body Mat'l	Pipe Size	Orifice Size
NS71		1: N.C.		G: Conduit Y: DIN A: Conduit U: J-Box P Opn Frame	F: F Class H: H Class		02: 120/60 110/50 04: 240/60 220/50 24: 24/60 24/50 15: 12 VDC 16: 24 VDC		C: EPDM	9: Lead Free Brass	G: 1 1/4"	J2: 1 1/4"

## Coil Data

Coil Family	
Type	Size
All	S3

Frequency (Hz)		60	50
Nominal Power (VA)	Inrush	36	36
	Holding	13	14

GC Valves Customer Service: 800-828-0484 (7:30 AM to 5:00 PM ET)