



- 1/4" NPT
- 303 Stainless Steel Body
- 2-Way Zero Differential
- Direct Acting
- Normally Closed

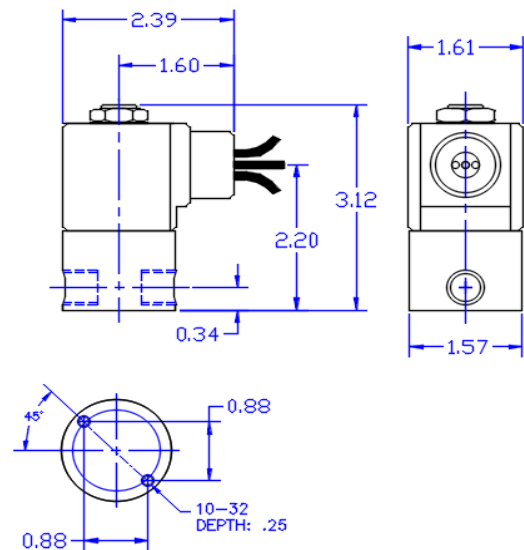


Materials	Seals:	NSF Approved Ethylene Propylene
	Orifice:	Stainless Steel
Electrical	Standard Housing:	Encapsulated Waterproof Conduit (NEMA 4X)
	Optional Housings:	Metal Conduit, Explosion-Proof (NEMA 7), Grommet Open Frame, Junction Box (single or dual knockouts), DIN, Contact GC Valves Customer Svc. For others.
	Standard Voltages:	24, 120, 240, AC, 60 and/or 50 Hz. Available 6, 12, 24 DC Contact GC Valves Customer Svc. For Additional Voltages
	Voltage Tolerance:	± 10% of applicable voltage
	Coil Classes:	F, H, N
	Standard Lead Length:	24 inches
Operating Temperature	Ambient (Nominal):	32° F to 125° F
Mounting	Position:	Any
Approvals*	Agency:	NSF/ANSI - 61/ NSF-372/ UR -CSA Recognized

* Not available for all variations

Dimensions / Weight

Weight (Lbs.)
1.2



GC Valves Customer Service: 800-828-0484 (7:30 AM to 5:00 PM ET)

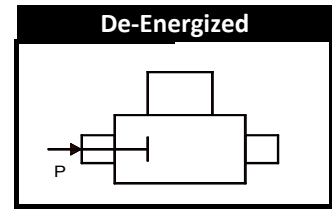
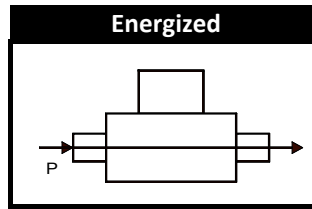
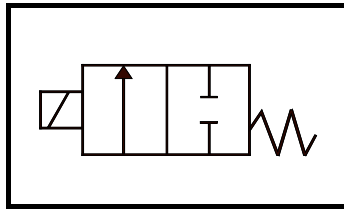
1-4-S-NS301-1



NS301 - 1/4" NPT, Stainless Steel Body, Normally Closed

Valve Selection List

Normally Closed



Pipe Size	Orifice Size	Cv	Operating Pressure Differential (PSI)								Max. Fluid Temp. °F	Seal Material	Power Consumption (Watts)		Model Code (120V/60HZ-110V/50HZ) Shown	
			Minimum	Maximum									AC	DC		
				Air/Gas		Water		Light Oil		Steam*						
NPT	In.		AC	DC	AC	DC	AC	DC	AC	DC					Stainless Steel Body	
1/4	1/32	.03	0	2400	2400	2400	2400	---	---	150	150	295	EPR	10	10	NS301GF02C3BC1
	3/64	.05	0	1050	1000	1050	1000	---	---	150	150	295	EPR	10	10	NS301GF02C3BC3
	1/16	.10	0	700	300	700	300	---	---	150	150	295	EPR	10	10	NS301GF02C3BC5
	5/64	.15	0	500	240	500	240	---	---	150	150	295	EPR	10	10	NS301GF02C3BC7
	3/32	.21	0	400	200	400	200	---	---	150	150	295	EPR	10	10	NS301GF02C3BC9
	7/64	.29	0	350	170	350	170	---	---	150	150	295	EPR	10	10	NS301GF02C3BD3
	1/8	.36	0	200	140	200	140	---	---	150	140	295	EPR	10	10	NS301GF02C3BD5
	5/32	.44	0	150	100	150	100	---	---	150	100	295	EPR	10	10	NS301GF02C3BD7
	3/16	.65	0	100	70	100	70	---	---	100	70	295	EPR	10	10	NS301GF02C3BE1
1/4	.85	0	50	20	50	20	---	---	50	20	295	EPR	10	10	NS301GF02C3BE7	
9/32	1.0	0	35	15	35	15	---	---	35	15	295	EPR	10	10	NS301GF02C3BF1	

Part Numbering

1	2	3	4	5	6	7	8	9	10	11	12	13
NS	3	0	1	G	F	0	2	C	3	B	C	9
Series			Operating Mode	Hsg	Coil	Voltage			Seal Mat'l	Body Mat'l	Pipe Size	Orifice Size
NS30			1: N.C.	G: Conduit Y: DIN A: Conduit U: J-Box P: Opn Frame	F: F Class H: H Class	02: 120/60 110/50 04: 240/60 220/50 24: 24/60 24/50 15: 12 VDC 16: 24 VDC			C: EPDM	3: 303 SS	B: 1/4"	See Above

Coil Data

Coil Family	
Type	Size
All	S4

Frequency (Hz)	60	50
Nominal Power (VA)	Inrush	46
	Holding	18

GC Valves Customer Service: 800-828-0484 (7:30 AM to 5:00 PM ET)