

1/4" NPT Stainless Steel 2-Way Direct Acting Normally Open

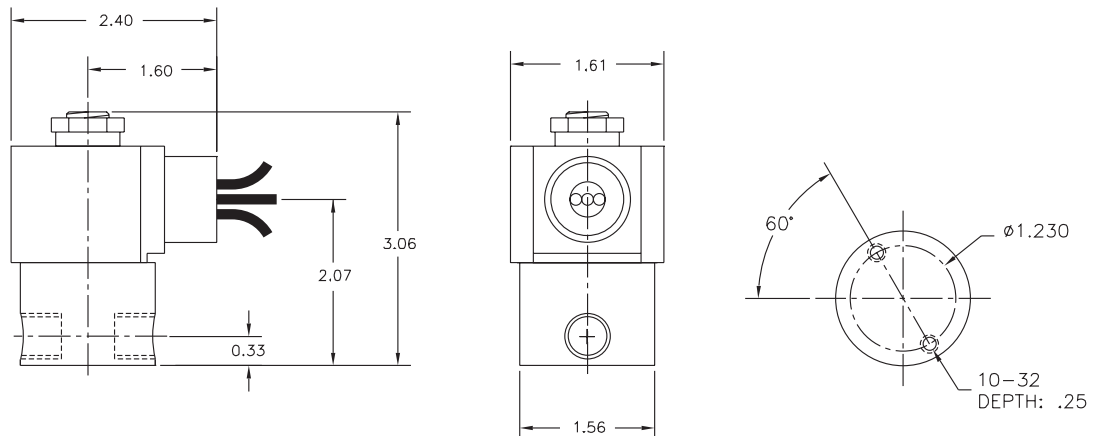


Materials	Seals:	NSF Approved EPDM
	Orifice:	Stainless Steel
Electrical	Standard Housing:	NEAM 4/4X Encapsulated - 1/2" Conduit
	Optional Housings:	Contact GC Valves Customer Service for available options.
	Standard Voltages:	24, 120, 240 AC 60 Hz; 50 Hz available 6, 12, 24 DC; Contact GC Valves Customer Service for Additional Voltages.
	Voltage Tolerance:	±10% of applicable voltage
	Coil Classes:	F, H, N
	Standard Lead Length:	24 inch
Operating Temperature	Ambient (Nominal):	32°F to 125°F
Mounting	Position:	Any
Approvals*	Agency:	NSF/ANSI - 61-G / NSF-372 / UR Recognized

* Not available for all variations

Dimensions/Weight

Weight (lbs.)
0.9

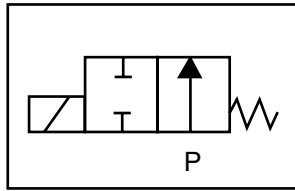




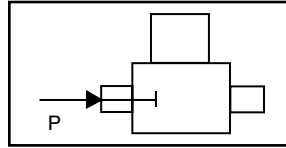
NS312 – 1/4" NPT, Stainless Steel Body, Normally Open

Valve Selection List

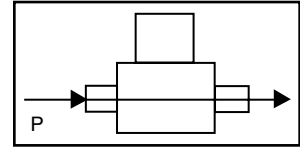
Normally Open



Energized



De-Energized



Pipe Size NPT	Orifice Size in.	C _v	Operating Pressure Differential (psi)								Max Fluid Temp. °F	Seal Material	Power Consumption (Watts)		Model Code (120V/60HZ — 110V/50HZ) Shown	
			Minimum				Maximum						AC	DC		
			Air/Gas		Water		Light Oil		Steam*							
			AC	DC	AC	DC	AC	DC	AC	DC						
1/4	1/32	.03	0	—	—	2000	2000	—	—	—	—	176	EPR	8	9	NS312GF02C2BC1
	3/64	.05	0	—	—	350	350	—	—	—	—	176	EPR	8	9	NS312GF02C3BC3
	1/16	.10	0	—	—	200	200	—	—	—	—	176	EPR	8	9	NS312GF02C3BC5
	5/64	.15	0	—	—	140	140	—	—	—	—	176	EPR	8	9	NS312GF02C3BC7
	3/32	.22	0	—	—	105	105	—	—	—	—	176	EPR	8	9	NS312GF02C3BC9
	7/64	.25	0	—	—	80	80	—	—	—	—	176	EPR	8	9	NS312GF02C3BD3
	1/8	.30	0	—	—	60	60	—	—	—	—	176	EPR	8	9	NS312GF02C3BD5
3/16	.65	0	—	—	30	30	—	—	—	—	176	EPR	8	9	NS312GF02C3BE1	

* Class H Coil Recommended for Steam and Other High Temperature Applications

Part Numbering

1	2	3	4	5	6	7	8	9	10	11	12	13	14
N	S	3	1	2	G	F	0	2	C	3	B	C	1
Series				Operating Mode	Housing*	Coil Class*	Voltage*		Seal Material	Body Material	Pipe Connection	Orifice Size	
NS31				2: Normally Open	G: Conduit	F: Class F H: Class H	02: 120/60 110/50		C: EPR	3: Stainless Steel	B: 1/4" NPT	C1: 1/32" C3: 3/64" C5: 1/16" C7: 5/64" C9: 3/32" D3: 7/64" D5: 1/8" E1: 3/16"	

* See the "Engineering Guide" for additional voltages, variations and options

Coil Data

Coil Family	
Type	Size
All	S3

Frequency (Hz)	60	50
Nominal Power (VA)	Inrush	36
	Holding	18

GC Valves Customer Service: 800-828-0484 (7:30am to 4pm ET) or 800-582-4232 (7:30am to 4pm PT)