

- 1/8" NPT
- Stainless Steel Body
- 2-Way Direct Acting
- Normally Closed

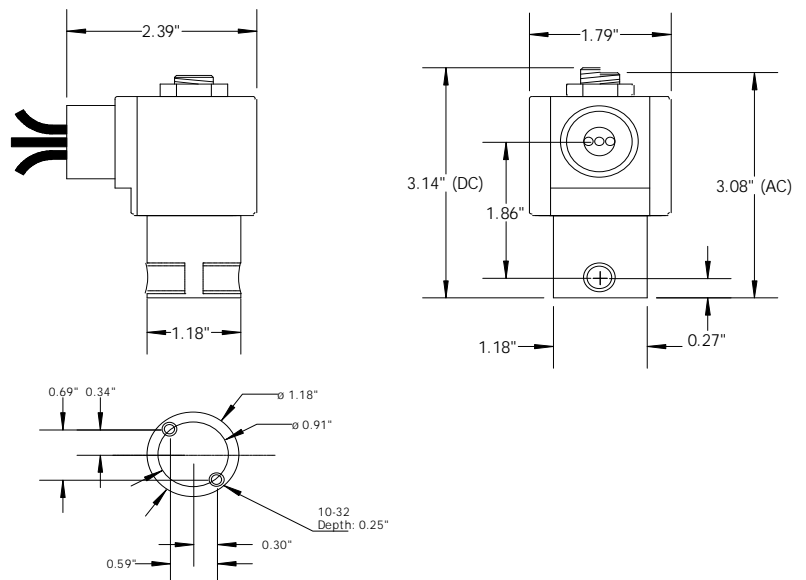


Materials	Seals:	NSF Approved EPDM
	Orifice:	Stainless Steel
Electrical	Standard Housing:	NEAM 4/4X Encapsulated - 1/2" Conduit
	Optional Housings:	Contact GC Valves Customer Service for available options.
	Standard Voltages:	24, 120, 240, AC, 60 and/or 50 Hz. Available 6, 12, 24 DC Contact GC Valves Customer Svc. For Additional Voltages
	Voltage Tolerance:	± 10% of applicable voltage
	Coil Classes:	F, H, N
	Standard Lead Length:	24 inches
Operating Temperature	Ambient (Nominal):	32° F to 125° F
Mounting	Position:	Any
Approvals*	Agency:	NSF/ANSI - 61-G / NSF-372 / UR Recognized

* Not available for all variations

Dimensions / Weight

Weight (Lbs.)
1.1



GC Valves Customer Service: 800-828-0484 (7:30 AM to 5:00 PM ET)

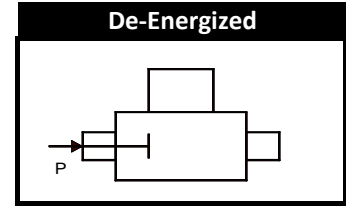
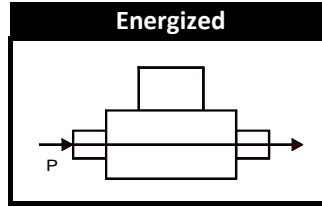
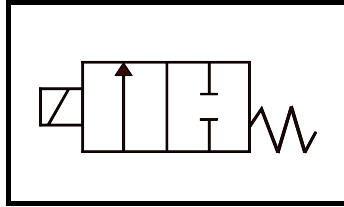
1/8-S-NS301-1



NS301 - 1/8" NPT, Stainless Steel Body, Normally Closed

Valve Selection List

Normally Closed



Pipe Size NPT	Orifice Size In.	Cv	Operating Pressure Differential (PSI)								Max. Fluid Temp. °F	Seal Material	Power Consumption (Watts)		Model Code (120V/60HZ-110V/50HZ) Shown				
			Minimum	Maximum				AC	DC	AC			DC	AC		DC			
				Air/Gas		Water									Light Oil		Steam*		
				AC	DC	AC	DC								AC		DC	AC	DC
1/8	1/32	.03	0	---	---	2400	2400	---	---	---	---	176	EPR	10	10	NS301GF02C2AC1			
	3/64	.05	0	---	---	1050	1000	---	---	---	---	176	EPR	10	10	NS301GF02C2AC3			
	1/16	.10	0	---	---	700	300	---	---	---	---	176	EPR	10	10	NS301GF02C2AC5			
	5/64	.15	0	---	---	500	240	---	---	---	---	176	EPR	10	10	NS301GF02C2AC7			
	3/32	.21	0	---	---	400	200	---	---	---	---	176	EPR	10	10	NS301GF02C2AC9			
	7/64	.29	0	---	---	350	170	---	---	---	---	176	EPR	10	10	NS301GF02C2AD3			
	1/8	.36	0	---	---	200	140	---	---	---	---	176	EPR	10	10	NS301GF02C2AD5			
	5/32	.44	0	---	---	150	100	---	---	---	---	176	EPR	10	10	NS301GF02C2AD7			
	3/16	.65	0	---	---	100	70	---	---	---	---	176	EPR	10	10	NS301GF02C2AE1			

* Class H Coil Recommended for Steam and Other High Temperature Applications

Part Numbering

1	2	3	4	5	6	7	8	9	10	11	12	13	14
N	S	3	0	1	G	F	0	2	C	2	A	C	1
Series				Operating Mode	Housing*	Coil Class*	Voltage*		Seal Material	Body Material	Pipe Connection	Orifice Size	
NS30				1: Normally Closed	G: Conduit	F: Class F H: Class H N: Class N	02: 120/60, 110/50		C: EPR	2: Stainless Steel	A: 1/8" NPT	C1: 1/32" C3: 3/64" C5: 1/16" C7: 5/64" C9: 3/32" D5: 1/8" D7: 5/32" E1: 3/16"	
* See the "Engineering Guide" for additional voltages, variations and options													

Coil Data

Coil Family	
Type	Size
All	S4

Frequency (Hz)		60	50
Nominal Power (VA)	Inrush	46	46
	Holding	18	19

GC Valves Customer Service: 800-828-0484 (7:30 AM to 5:00 PM ET)