



NS201 Series



- 3/8" NPT
- Nylon Body
- 2-Way Zero Differential
Piloted Diaphragm
- Normally Closed

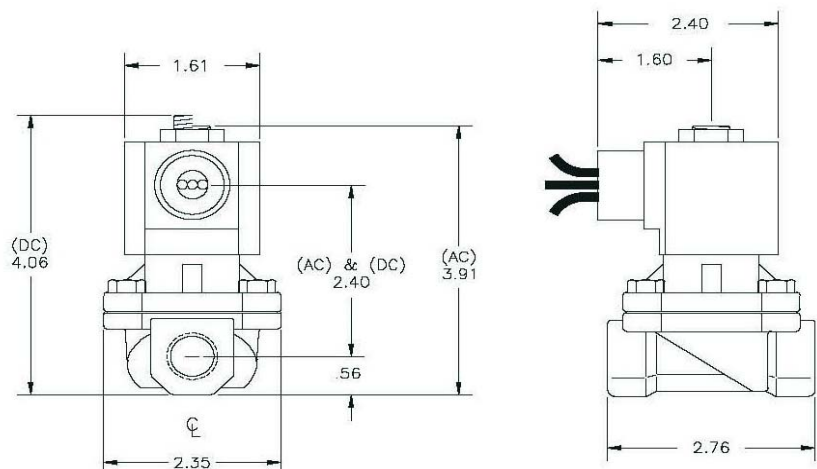


Materials	Seals:	Santoprene/NSF Approved EPDM
	Orifice:	Pilot Main
Electrical	Housing:	NEMA 4/4X Encapsulated - 1/2" Conduit
	Optional Housings:	Contact GC Valves Customer Svc. for available options.
	Voltage:	24,120,240, VAC, 60 and/or 50 Hz. Available. 6, 12, 24 VDC Contact GC Valves Customer Svc. for available options.
	Voltage Tolerance:	± 10% of applicable voltage
	Coil Classes:	F, H, N
	Standard Lead Length:	24 inches
Operating Temperature	Ambient (Nominal):	32° F to 125° F
Mounting	Position:	Any
Approvals*	Agency:	NSF/ANSI - 61-G / NSF-372 / UR Recognized

* Not available for all variations

Dimensions / Weight

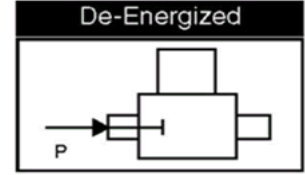
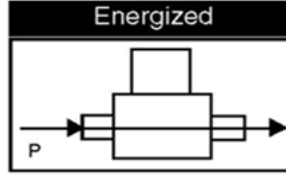
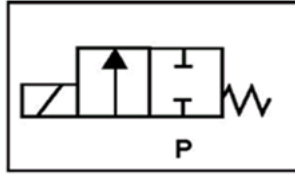
Weight (lbs.)
1



GC Valves Customer Service: 800-828-0484 (7:30 AM to 5:00 PM ET)

Valve Selection List

Normally Closed



Pipe Size NPT	Orifice Size IN	Cv	Operating Pressure Differential (psi)								Max Fluid Temp. °F	Seal Material	Power Consumption (Watts)		Model Code (120V/60HZ — 110V/50HZ Shown)
			Maximum										AC	DC	
			Air/Gas		Water		Light Oil		Steam*						
3/8"	5/8	4.3	0	—	—	100	90	—	—	—	295	Santo EPR	10	10	NS201GF02FPCG4

* Class H Coil Recommended for Steam and Other High Temperature Applications

Part Numbering

1	2	3	4	5	6	7	8	9	10	11	12	13	14
N	S	2	0	1	G	F	0	2	F	P	C	G	4
Series				Operating Mode	Housing*	Coil Class*	Voltage*		Seal Material	Body Material	Pipe Connection	Orifice Size	
NS20				1: Normally Closed	G: 1/2" Conduit	F: Class F N: Class N	02: 110/120 50/60 Hz 10 Watt		F: Santoprene/ EPDM	P: Noryl	C: 3/8"	G4: 5/8"	

Coil Data

Coil Family	
Type	Size
All	S4

Frequency (Hz)	60	50
Nominal Power (VA)	Inrush	46
	Holding	18
		23

GC Valves Customer Service: 800-828-0484 (7:30 AM to 5:00 PM ET)