



SC31 Series



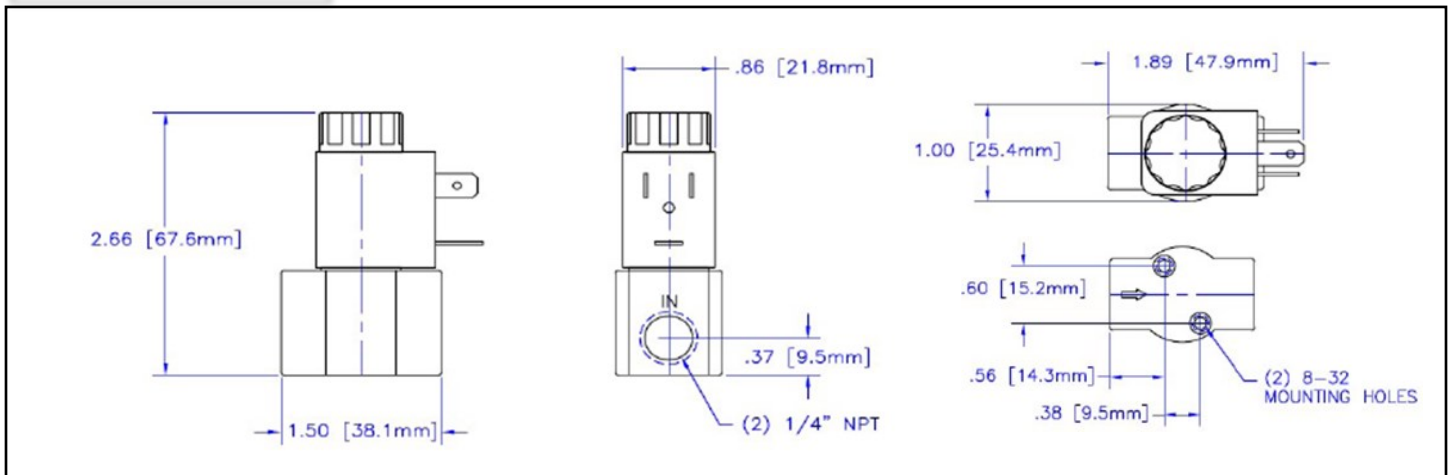
1/4" NPT Nylon Body 2-Way Direct Acting Normally Closed



Materials	Seals:	FKM, EPDM, Nitrile
	Orifice:	Nylon
Electrical	Standard Housing:	DIN 43650 Form B
	Optional Housings:	18" Leads
	Standard Voltages:	24, 120, 240AC 60Hz; 50Hz available; 12, 24 DC; Contact GC Valves Customer Service for Additional Voltages.
	Voltage Tolerance:	±10% of applicable voltage
	Coil Class:	H
Operating Temperature	Ambient (Nominal):	32°F to 125°F
Mounting	Position:	Any
Approvals*	Agencies:	cURus, CE

*Not Available for all variations

Dimensions



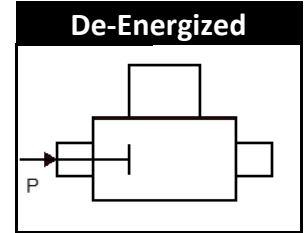
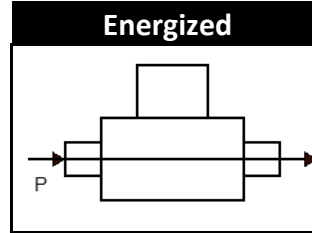
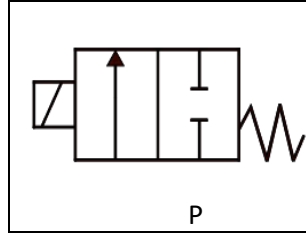


SC311-1/4" NPT, Nylon, Normally Closed



Valve Selection List

Normally Closed



Pipe Size	Orifice Size	Cv	Operating Pressure Differential (PSI)				Max. Fluid Temp. °F	Seal Material	Power Consumption		Model Code (24V/60HZ - DIN) Shown	
			Min.	Maximum		AC : vA			DC : Watts			
				Air/Gas	Water							
NPT	mm.			AC	DC	AC	DC			Nylon Body		
1/4	3.0	0.280	0	116	36	116	36	176	FKM	6.5	4	SC311YN24VIBA6
	3.0	0.280	0	116	36	116	36	176	EPDM	6.5	4	SC311YN24CIBA6
	3.0	0.280	0	116	36	116	36	176	Nitrile	6.5	4	SC311YN24NIBA6

Part Numbering

1	2	3	4	5	6	7	8	9	10	11	12	13	14
S	C	3	1	1	Y	N	2	4	V	I	B	A	6
Series			Stations	Operating Mode	Housing	Coil	Voltage		Seal Material	Body Material	Pipe Size	Orifice Size	
C3 Direct Acting NPT Threads			1	1: 2Way N.C.	Y: DIN G: Leads	N: H Class	02: 120/60 04: 240/60 24: 24/60 15: 12 VDC 16: 24 VDC		V: FKM C: EPDM N: Nitrile	I: Nylon	B: 1/4"	A6: 3.0mm	

Coil Data

AC Coil Family	
Voltage Code	Coil Number
YN02	C944
GN02	C944L
YN04	C802
GN04	C802L
YN24	C987
GN24	C987L

DC Coil Family	
Voltage Code	Coil Number
YN15	C999
GN15	C999L
YN16	C926
GN16	C926L