



2-Way • Normally Closed & Normally Open • Pilot Operated

True Union Solenoid Valves

Nylon-6 • ½" & ¾" NPT Pipe Size

Applications

Water treatment (ozone, UV, reverse osmosis, sterilizers), drinking water, car wash, food & beverage (bottling, craft beverages, produce mister, cleaning), clean-in-place (CIP), commercial buildings, hospitals, medical facilities, and agricultural.

Features

- Allows for compact piping arrangements
- Easy removal for cleaning and servicing in the field
- Wrench flats on fittings help protect valve from damage during install/removal
- NSF approved options
- UL recognized, CSA, and CE options
- Great for OEMs looking to reduce plumbing complexity and footprint

Construction

Wetted Components	
Body	Nylon-6 + 30% Glass Fill
End Fittings	300 Series Stainless Steel
Operator Tube	300 Series Stainless Steel
Plunger & Tube Head	400 Series Stainless Steel
Springs	300 Series Stainless Steel
Shading Ring	Copper (Std.), Silver
Seals	EPDM or FKM

Coil Housing

T20 & T21 Series (See Drawing #1 and #3)

• ½" NPT Conduit Hub with 24" Lead Wires (NEMA 4/4X, IP65)

• DIN - 18mm Form A (NEMA 4/4X, IP65)

• Junction Box (Single or Dual Knockouts)

TP3 Series (See Drawing #2)

• 18" Lead Wires (IP65)

• DIN - 11mm Form B (IP65)

*All Coils Rated for 100% Duty Cycle

*See Engineering Guide for Additional Coil Housings and Dimensions



Ambient Temperature (Nominal)

- 32°F to 125°F (0°C to 52°C)

Maximum Fluid Temperature

- 180°F (82°C)

Approvals

- UL Recognized (T20 & T21 Series)
- cURus (TP3 Series)
- CSA Certified (T20 & T21 Series)
- *Add suffix "E" to part number for CSA Certification
- CE Certified
- NSF 61-G: Drinking Water System Components (includes Lead Free requirements)
- NSF 372: Drinking Water System Components (Lead Content Certification)
- *Add prefix "N" to part number for NSF Certification





2-Way • Normally Closed & Normally Open • Pilot Operated

True Union Solenoid Valves

Nylon-6 • 1/2" & 3/4" NPT Pipe Size

Specifications

Part numbers shown as general purpose, 120vAC, with EPDM seals. See Part Number Selection for more options.

Pipe Size (NPT)	Orifice Size (in)	Flow Factor (Cv)	Operating Pressure Differential (PSI)				Part Number*		Power Consumption		Drawing #	
			Min.	Max. (Air/ Gas)		Max. (Water)		DIN Coil	Lead Wire Coil	AC		DC
				AC	DC	AC	DC					
Normally Closed (Closed when de-energized)												
1/2"	3/4	4.3	0	140	90	140	90	T201YF02CPD2	T201GF02CPD2	10W	10W	1
	3/4	4.3	4	200	150	150	100	T211YF02CPD2	T211GF02CPD2	8W	10W	1
	3/4	4.3	5	150	80	150	80	TP31YN02CPD2	TP31GN02CPD2	6.5vA	8W	2
3/4"	3/4	6.7	0	140	90	140	90	T201YF02CPE2	T201GF02CPE2	10W	10W	1
	3/4	6.7	4	200	150	150	100	T211YF02CPE2	T211GF02CPE2	8W	10W	1
	3/4	6.7	5	150	80	150	80	TP31YN02CPE2	TP31GN02CPE2	6.5vA	8W	2
Normally Open (Open when de-energized)												
1/2"	3/4	4.3	0	200	125	200	125	T202YF02CPD2	T202GF02CPD2	11W	10W	3
	3/4	4.3	4	200	140	200	125	T212YF02CPD2	T212GF02CPD2	11W	10W	3
3/4"	3/4	6.7	0	200	125	200	125	T202YF02CPE2	T202GF02CPE2	11W	10W	3
	3/4	6.7	4	200	140	150	140	T212YF02CPE2	T212GF02CPE2	11W	10W	3

Part Number Selection

(blank)	T20	1	G	F	02	C	P	D	2	(blank)
Optional Prefix	True Union Series	Operating Mode ^②	Housing	Coil Class ^④	Voltage ^⑤	Seal Material	Body Material	Pipe Connection	Number of Unions	Optional Suffix
(blank): General Purpose N: NSF Certified ^①	T20 T21 TP3	1: 2WNC 2: 2WNO	G: Lead Wires ^③ Y: DIN	F (T20/21) N (TP3)	02: 110v/50Hz 120v/60Hz 04: 220v/50Hz 240v/60Hz 24: 24v/50-60Hz 15: 12vDC 16: 24vDC	C: EPDM V: FKM	P: Nylon	D: 1/2" NPT E: 3/4" NPT	0: No Unions 2: Both Unions	(blank): No Option E: CSA Cert. K: Mounting Bracket P: Nickel Plating

① Must use EPDM seals with NSF Certified selection ("N" prefix)

② Normally open variation not available for TP3 series

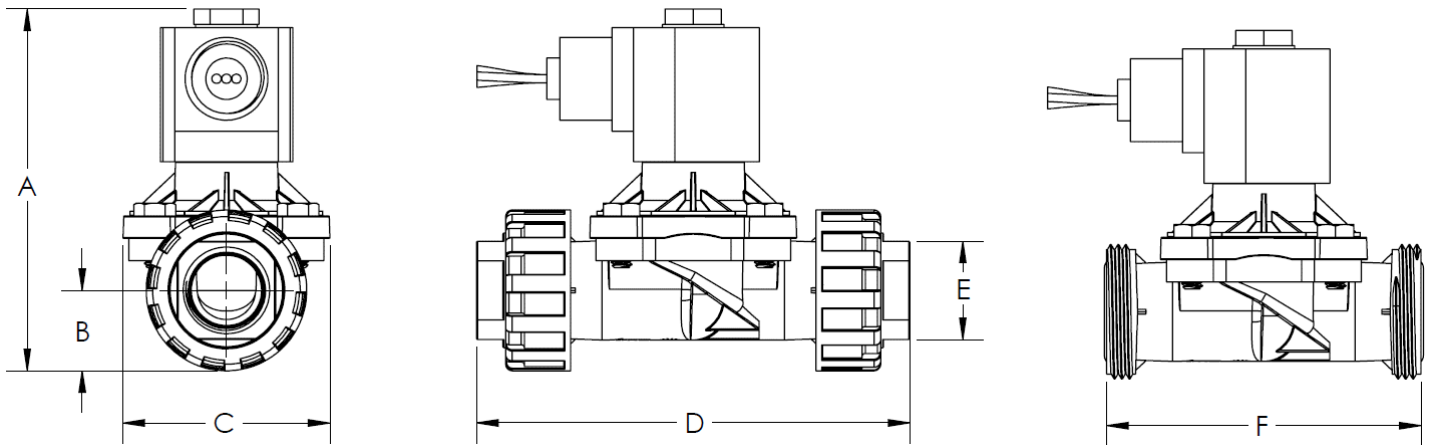
③ G Housing for T20 & T21 Series has 1/2" Conduit Hub with 24" Leads, TP3 Series has 18" Leads

④ F class coils used with T20 & T21 series; N class coils used with TP3 series

⑤ See Engineering Guide for additional voltages, variations, and options

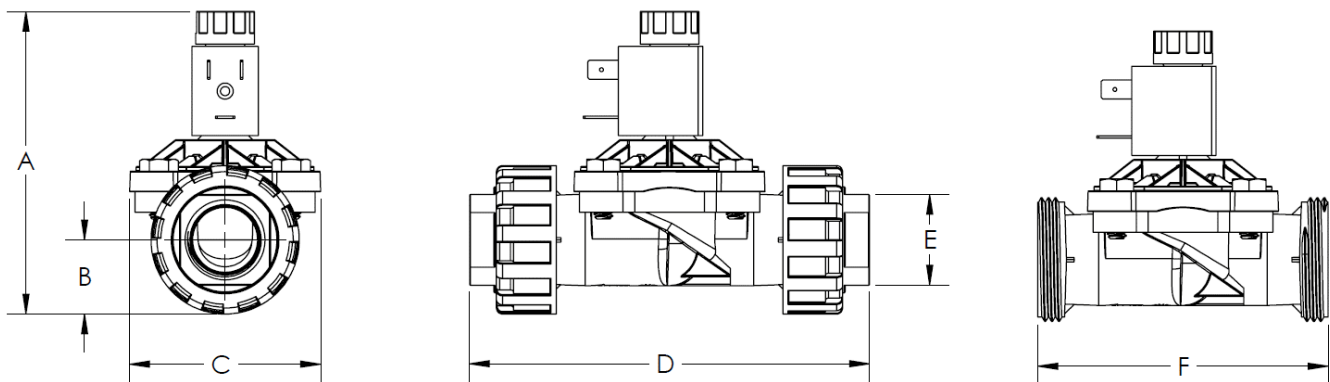
True Union Solenoid Valves

Drawing #1



Pipe Size	Series	Units	A	B	C	D	E	F
1/2"	T201	in.	4.2	0.8	2.5	4.9	0.938	3.5
		mm	106	20	64	124	24	89
1/2"	T211	in.	3.9 (AC) 4.2 (DC)	0.8	2.5	4.9	0.938	3.5
		mm	100 106	20	64	124	24	89
3/4"	T201	in.	4.4	1.0	2.5	5.2	1.188	3.8
		mm	111	25	64	133	30	97
3/4"	T211	in.	4.1 (AC) 4.4 (DC)	1.0	2.5	5.2	1.188	3.8
		mm	104 111	25	64	133	30	97

Drawing #2

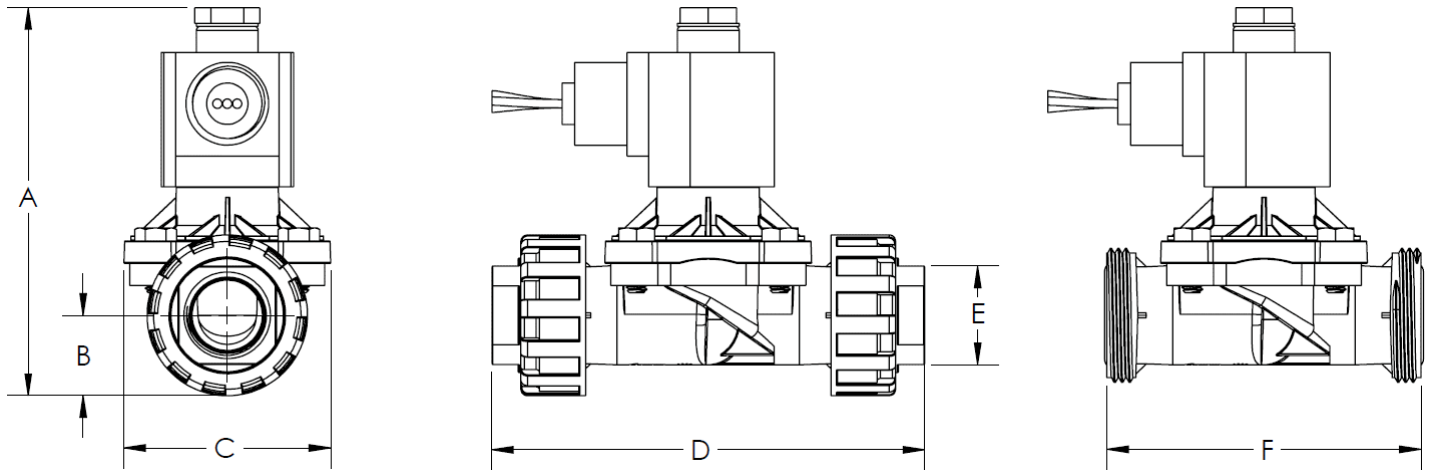


Pipe Size	Series	Units	A	B	C	D	E	F
1/2"	TP3	in.	3.8	0.8	2.5	4.9	0.938	3.5
		mm	96	20	64	124	24	89
3/4"	TP3	in.	4.0	1.0	2.5	5.2	1.188	3.8
		mm	101	25	64	133	30	97

True Union Solenoid Valves

Nylon-6 • 1/2" & 3/4" NPT Pipe Size

Drawing #3



Pipe Size	Series	Units	A	B	C	D	E	F
1/2"	T202 & T212	in.	4.7	0.8	2.5	4.9	0.938	3.5
		mm	119	20	64	124	24	89
3/4"	T202 & T212	in.	4.7	1.0	2.5	5.2	1.188	3.8
		mm	119	25	64	133	30	97