



SC91 Series

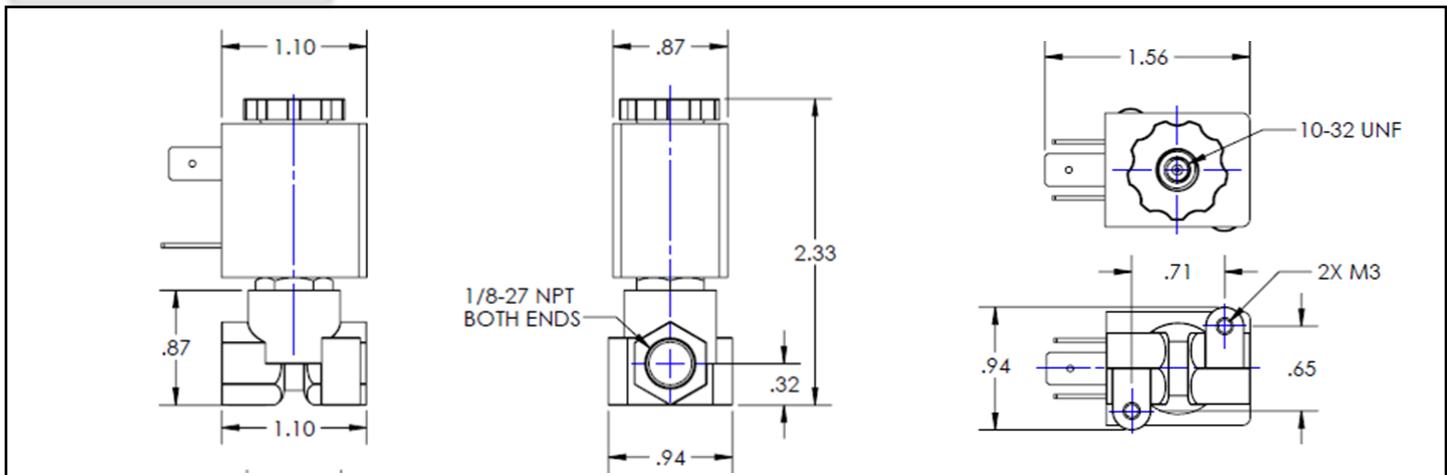


**1/8" NPT
Brass Forged Body
3-Way Direct Acting
Normally Closed**



Materials	Seals:	FKM, EPDM, Nitrile
	Orifice:	Stainless Steel
Electrical	Standard Housing:	DIN 43650 Form B
	Optional Housings:	18" Leads
	Standard Voltages:	24, 120, 240AC 60Hz; 50Hz available; 12, 24 DC; Contact GC Valves Customer Service for Additional Voltages.
	Voltage Tolerance:	±10% of applicable voltage
	Coil Class:	H
Operating Temperature	Ambient (Nominal):	32°F to 125°F
Mounting	Position:	Any
Approvals*	Agencies:	cURus, CE

Dimensions



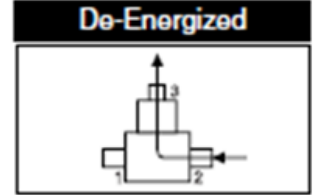
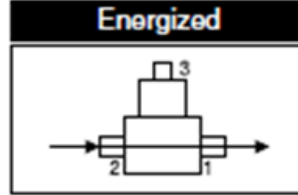
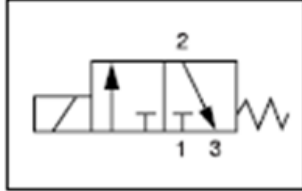


SC913-1/8" NPT, Forged Brass Body, Normally Closed



Valve Selection List

Normally Closed



Pipe Size	Orifice Size	Cv	Operating Pressure Differential (PSI)				Max. Fluid Temp. °F	Seal Material	Power Consumption		Model Code (24V/60HZ - DIN) Shown	
			Min.	Maximum		AC			DC	AC : vA		DC : Watts
				Air/Gas								
NPT	mm.		AC	DC	AC	DC		AC	DC	Forged Brass Body		
1/8	1.0	0.035	0	174	174	174	174	230	FKM	6.5	4	SC913YN24VEAA1
	1.2	0.046	0	145	145	145	145	230	FKM	6.5	4	SC913YN24VEAA2
	1.6	0.084	0	102	102	102	102	230	FKM	6.5	4	SC913YN24VEAA3
1/8	1.0	0.046	0	174	174	174	174	295	EPDM	6.5	4	SC913YN24CEAA1
	1.2	0.840	0	145	145	145	145	295	EPDM	6.5	4	SC913YN24CEAA2
	1.6	0.112	0	102	102	102	102	295	EPDM	6.5	4	SC913YN24CEAA3
1/8	1.0	0.046	0	174	174	174	174	180	NITRILE	6.5	4	SC913YN24NEAA1
	1.2	0.840	0	145	145	145	145	180	NITRILE	6.5	4	SC913YN24NEAA2
	1.6	0.112	0	102	102	102	102	180	NITRILE	6.5	4	SC913YN24NEAA3



SC913-1/8" NPT, Forged Brass Body, Normally Closed



Part Numbering

1	2	3	4	5	6	7	8	9	10	11	12	13	14
S	C	9	1	3	Y	N	2	4	V	E	A	A	3
Series		Stations	Operating Mode	Housing	Coil	Voltage		Seal Material	Body Material	Pipe Size	Orifice Size		
C9 Direct Acting NPT Threads		1	3: 3Way N.C.	Y: DIN G: Leads	N: H Class	02: 120/60 04: 240/60 24: 24/60 15: 12 VDC 16: 24 VDC		V: FKM C: EPDM N: NITRILE	E: Forged Brass Body	A: 1/8"	A1: 1.0mm A2: 1.2mm A3: 1.6mm		

Coil Data

AC Coil Family	
Voltage Code	Coil Number
YN02	C944
GN02	C944L
YN04	C802
GN04	C802L
YN24	C987
GN24	C987L

DC Coil Family	
Voltage Code	Coil Number
YN15	C999
GN15	C999L
YN16	C926
GN16	C926L

Kit Data

Operator		
Seal	Orifice	Part Number
V	A1	KSC9302VDA1
V	A2	KSC9302VDA2
V	A3	KSC9302VDA3
C	A1	KSC9302CDA1
C	A2	KSC9302CDA2
C	A3	KSC9302CDA3

Operator		
Seal	Orifice	Part Number
N	A1	KSC9302NDA1
N	A2	KSC9302NDA2
N	A3	KSC9302NDA3