



# SC91 Series



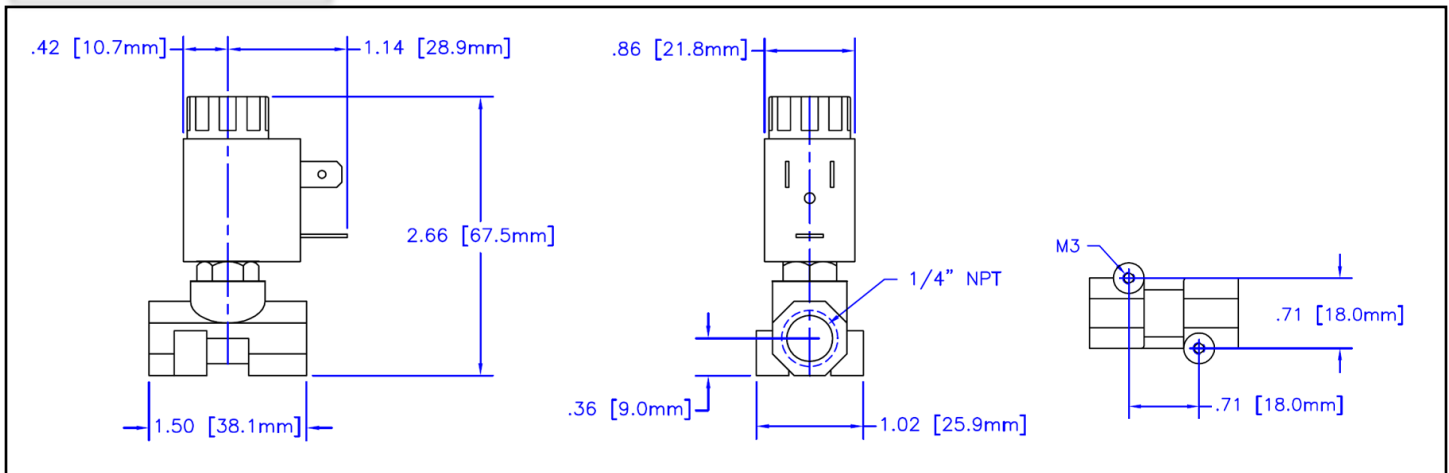
**1/4" NPT**  
**Brass Forged Body**  
**2-Way Direct Acting**  
**Normally Closed**



Materials	Seals:	FKM, EPDM, Nitrile, PTFE, FFKM also available
	Orifice:	Stainless Steel
Electrical	Standard Housing:	DIN 43650 Form B
	Optional Housings:	18" Leads
	Standard Voltages:	24, 120, 240AC 60Hz; 50Hz available; 12, 24 DC; Contact GC Valves Customer Service for Additional Voltages.
	Voltage Tolerance:	±10% of applicable voltage
	Coil Class:	H
Operating Temperature	Ambient (Nominal):	32°F to 125°F
Mounting	Position:	Any
Approvals*	Agencies:	cURus, CE

\*Not Available for all variations

## Dimensions



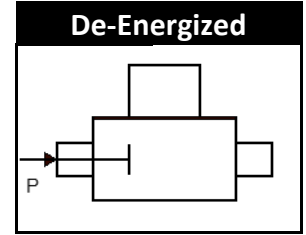
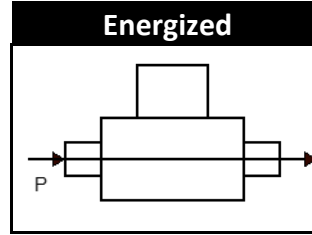
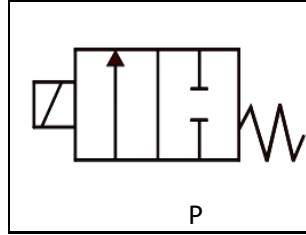


# SC911-1/4" NPT, Forged Brass Body, Normally Closed



## Valve Selection List

Normally Closed



Pipe Size	Orifice Size	Cv	Operating Pressure Differential (PSI)				Max. Fluid Temp.	Seal Material	Power Consumption		Model Code (24V/60HZ - DIN) Shown	
			Min.	Maximum		AC			DC	AC : vA		DC : Watts
				Air/Gas	Water							
NPT	mm.			AC	DC	AC	DC	°F			Forged Brass Body	
1/4	1.0	0.035	0	580	580	580	580	230	FKM	6.5	4	SC911YN24VEBA1
	1.2	0.046	0	580	360	580	360	230	FKM	6.5	4	SC911YN24VEBA2
	1.6	0.084	0	435	160	435	160	230	FKM	6.5	4	SC911YN24VEBA3
	2.0	0.112	0	261	116	261	116	230	FKM	6.5	4	SC911YN24VEBA4
	2.4	0.140	0	203	87	203	87	230	FKM	6.5	4	SC911YN24VEBA5
	3.0*	0.280	0	116	36	116	36	230	FKM	6.5	4	SC911YN24VEBA6*
1/4	1.0	0.035	0	580	580	580	580	295	EPDM	6.5	4	SC911YN24CEBA1
	1.2	0.046	0	580	360	580	360	295	EPDM	6.5	4	SC911YN24CEBA2
	1.6	0.084	0	435	160	435	160	295	EPDM	6.5	4	SC911YN24CEBA3
	2.0	0.112	0	261	116	261	116	295	EPDM	6.5	4	SC911YN24CEBA4
	2.4	0.140	0	203	87	203	87	295	EPDM	6.5	4	SC911YN24CEBA5
	3.0*	0.280	0	116	36	116	36	295	EPDM	6.5	4	SC911YN24CEBA6*
1/4	1.0	0.035	0	580	580	580	580	180	NITRILE	6.5	4	SC911YN24NEBA1
	1.2	0.046	0	580	360	580	360	180	NITRILE	6.5	4	SC911YN24NEBA2
	1.6	0.084	0	435	160	435	160	180	NITRILE	6.5	4	SC911YN24NEBA3
	2.0	0.112	0	261	116	261	116	180	NITRILE	6.5	4	SC911YN24NEBA4
	2.4	0.140	0	203	87	203	87	180	NITRILE	6.5	4	SC911YN24NEBA5
	3.0*	0.280	0	116	36	116	36	180	NITRILE	6.5	4	SC911YN24NEBA6*
1/4	1.0	0.035	0	580	580	580	580	366	PTFE	6.5	4	SC911YN24TEBA1
	1.2	0.046	0	580	360	580	360	366	PTFE	6.5	4	SC911YN24TEBA2
	1.6	0.084	0	435	160	435	160	366	PTFE	6.5	4	SC911YN24TEBA3
	2.0	0.112	0	261	116	261	116	366	PTFE	6.5	4	SC911YN24TEBA4
	2.4	0.140	0	203	87	203	87	366	PTFE	6.5	4	SC911YN24TEBA5
	3.0*	0.280	0	116	36	116	36	366	PTFE	6.5	4	SC911YN24TEBA6*
1/4	1.0	0.035	0	580	580	580	580	295	FFKM	6.5	4	SC911YN24AEB A1
	1.2	0.046	0	580	360	580	360	295	FFKM	6.5	4	SC911YN24AEB A2
	1.6	0.084	0	435	160	435	160	295	FFKM	6.5	4	SC911YN24AEB A3
	2.0	0.112	0	261	116	261	116	295	FFKM	6.5	4	SC911YN24AEB A4
	2.4	0.140	0	203	87	203	87	295	FFKM	6.5	4	SC911YN24AEB A5

\*Additional lead time may apply



# SC911-1/4" NPT, Forged Brass Body, Normally Closed



## Part Numbering

1	2	3	4	5	6	7	8	9	10	11	12	13	14
<b>S</b>	<b>C</b>	<b>9</b>	<b>1</b>	<b>1</b>	<b>Y</b>	<b>N</b>	<b>2</b>	<b>4</b>	<b>V</b>	<b>E</b>	<b>B</b>	<b>A</b>	<b>5</b>
Series		Stations	Operating Mode	Housing	Coil	Voltage		Seal Material	Body Material	Pipe Size	Orifice Size		
C9 Direct Acting NPT Threads		1	1: 2Way N.C.	Y: DIN G: Leads	N: H Class	02: 120/60 04: 240/60 24: 24/60 15: 12 VDC 16: 24 VDC		V: FKM C: EPDM N: Nitrile T: PTFE A: FFKM**	E: Brass	B: 1/4"	A1: 1.0mm A2: 1.2mm A3: 1.6mm A4: 2.0mm <b>A5: 2.4mm</b> A6*: 3.0mm		

\*Additional lead time may apply

\*\*Not available for all variations

## Coil Data

AC Coil Family	
Voltage Code	Coil Number
YN02	C944
GN02	C944L
YN04	C802
GN04	C802L
YN24	C987
GN24	C987L

DC Coil Family	
Voltage Code	Coil Number
YN15	C999
GN15	C999L
YN16	C926
GN16	C926L

## Kit Data

Operator	
Seal	Part Number
V	KSC9102VBA5
C	KSC9102CBA5
N	KSC9102NBA5
T	KSC9102TBA5
A	KSC9102ABA5