



# SP91 Series



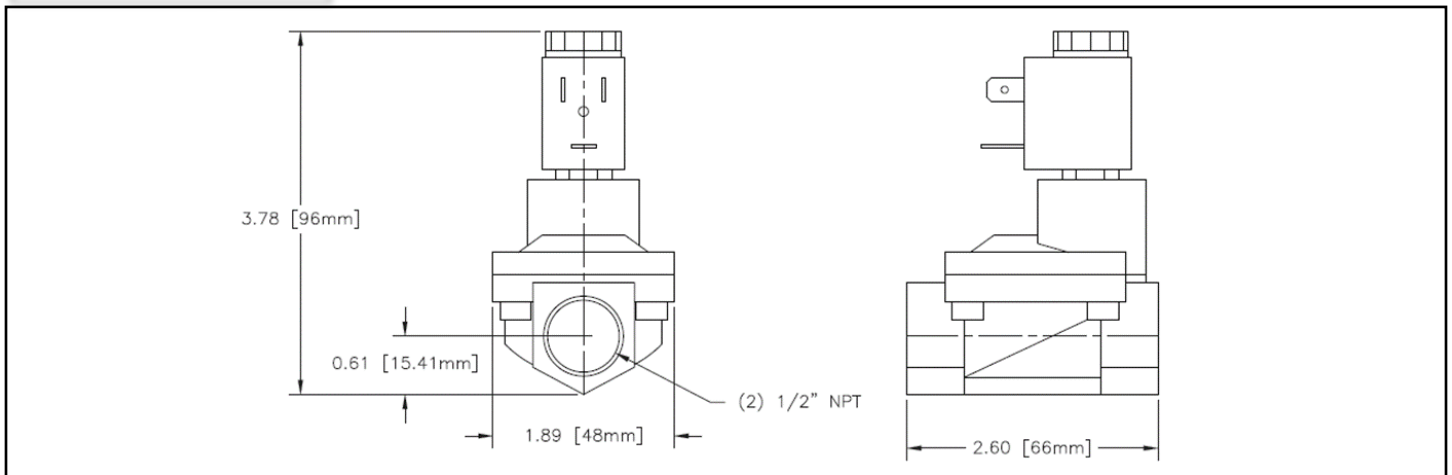
**1/2" NPT  
Brass Forged Body  
2-Way Piloted  
Normally Closed**



Materials	Seals:	Nitrile
	Orifice:	Brass
Electrical	Standard Housing:	DIN 43650 Form B
	Optional Housings:	18" Leads
	Standard Voltages:	24, 120, 240AC 60Hz; 50Hz available; 12, 24 DC; Contact GC Valves Customer Service for Additional Voltages.
	Voltage Tolerance:	±10% of applicable voltage
	Coil Class:	H
Operating Temperature	Ambient (Nominal):	32°F to 125°F
Mounting	Position:	Any
Approvals*	Agencies:	cURus, CE

\*Not Available for all variations

## Dimensions



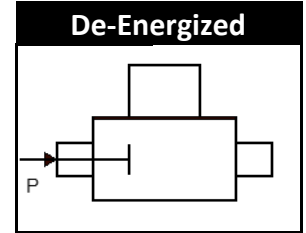
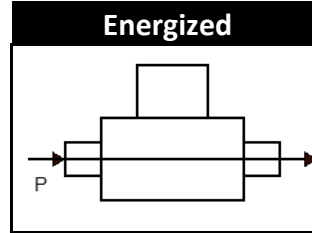
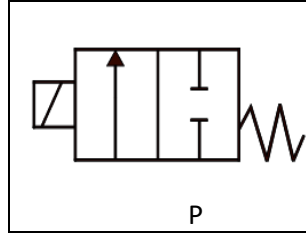


# SP91-1/2" NPT, Brass, Normally Closed



## Valve Selection List

Normally Closed



Pipe Size	Orifice Size	Cv	Operating Pressure Differential (PSI)				Max. Fluid Temp. °F	Diaphragm Material	Power Consumption		Model Code (24V/60HZ - DIN) Shown	
			Min.	Maximum		AC : vA			DC : Watts			
				Air/Gas						Water		
NPT	mm.		AC	DC	AC	DC		AC	DC	Brass Body		
1/2	13	4.5	8	200	200	200	200	180	Nitrile	6.5	4	SP911YN24MJDA5
	13	4.5	8	200	200	200	200	180	Nitrile	6.5	4	SP911YN24NJDA5
	13	4.5	8	200	200	200	200	230	FKM	6.5	4	SP911YN24VJDA5
	13	4.5	8	200	200	200	200	295	EPDM	6.5	4	SP911YN24CJDA5

## Part Numbering

1	2	3	4	5	6	7	8	9	10	11	12	13	14
<b>S</b>	<b>P</b>	<b>9</b>	<b>1</b>	<b>1</b>	<b>Y</b>	<b>N</b>	<b>2</b>	<b>4</b>	<b>M</b>	<b>J</b>	<b>D</b>	<b>A</b>	<b>5</b>
Series			Stations	Operating Mode	Housing	Coil	Voltage		Seal Material	Body Material	Pipe Size	Orifice Size	
C9 Piloted NPT Threads			1	1: 2Way N.C.	Y: DIN G: Leads	N: H Class	02: 120/60 04: 240/60 24: 24/60 15: 12 VDC 16: 24 VDC		M: Nitrile/FKM N: Nitrile V: FKM C: EPDM	J: Brass	D: 1/2"	13 mm	



# SP91-1/2" NPT, Brass, Normally Closed



## Coil Data

AC Coil Family	
Voltage Code	Coil Number
YN02	C944
GN02	C944L
YN04	C802
GN04	C802L
YN24	C987
GN24	C987L

DC Coil Family	
Voltage Code	Coil Number
YN15	C999
GN15	C999L
YN16	C926
GN16	C926L

## Kit Data

Operator	
Seal	Part Number
M	KSC9102VBA5
N	KSC9102NBA5

Rebuild Kit	
Seal	Part Number
M	KSP9102MJD
N	KSP102NJD