



SP31 Series



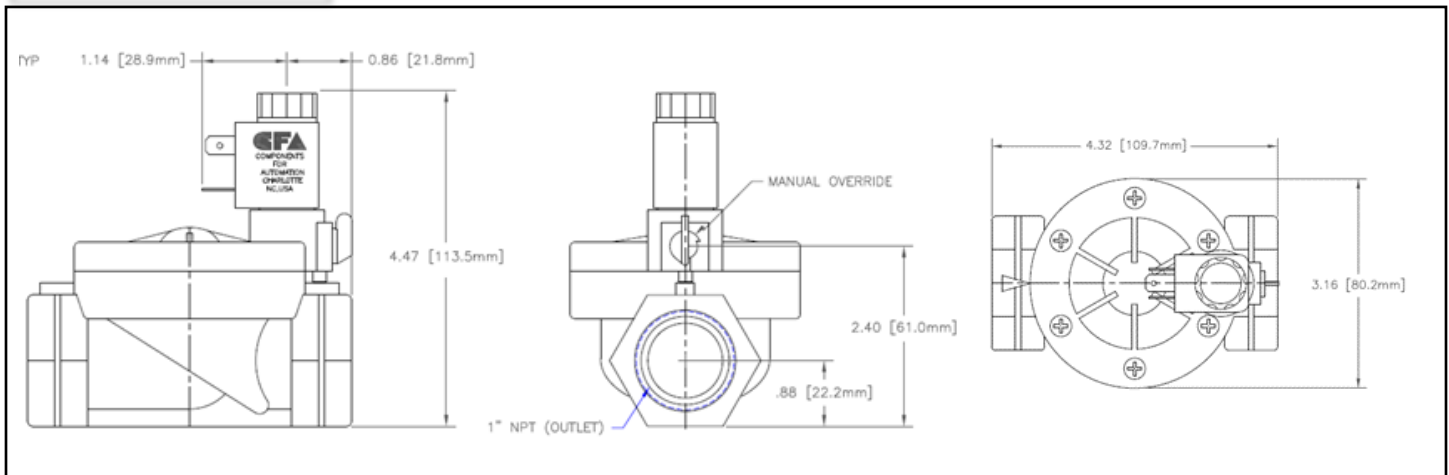
**1" NPT
Nylon Body
2-Way Piloted
Normally Closed**



Materials	Seals:	NR
	Orifice:	Nylon, Reinforced
Electrical	Standard Housing:	DIN 43650 Form B
	Optional Housings:	18" Leads
	Standard Voltages:	24, 120, 240AC 60Hz; 50Hz available; 12, 24 DC; Contact GC Valves Customer Service for Additional Voltages.
	Voltage Tolerance:	±10% of applicable voltage
	Coil Class:	H
Operating Temperature	Ambient (Nominal):	32°F to 125°F
Mounting	Position:	Any
Approvals*	Agencies:	cURus, CE

*Not Available for all variations

Dimensions



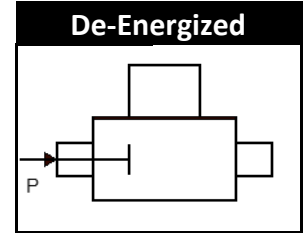
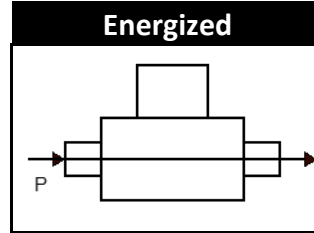
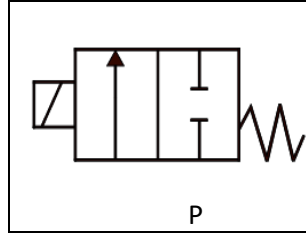


SP311-1" NPT, Nylon, Normally Closed



Valve Selection List

Normally Closed



Pipe Size	Orifice Size	Cv	Min.	Operating Pressure Differential (PSI)				Max. Fluid Temp. °F	Diaphragm Material	Power Consumption		Model Code (24V/60HZ - DIN) Shown
				Maximum						AC : vA	DC : Watts	
				Air/Gas		Water				AC	DC	
NPT	mm.			AC	DC	AC	DC			AC	DC	Nylon Body
1	27	13.9	5	150	150	150	150	122	NR	6.5	4	SP311YN24MGFG9
	27	13.9	5	150	150	150	150	122	NR	6.5	4	SP311YN24MGFG9M
	27	13.9	5	150	150	150	150	122	NR	6.5	4	SP311YN24MGFG9B
	27	13.9	5	150	150	150	150	122	NR	6.5	4	SP311YN24MGFG9C

Part Numbering

1	2	3	4	5	6	7	8	9	10	11	12	13	14	15
S	P	3	1	1	Y	N	2	4	M	G	F	G	9	M
Series			Stations	Operating Mode	Housing	Coil	Voltage		Seal Material	Body Material	Pipe Size	Orifice Size	Option	
C3 Piloted NPT Threads			1	1: 2Way N.C.	Y: DIN G: Leads	N: H Class	02: 120/60 04: 240/60 24: 24/60 15: 12 VDC 16: 24 VDC		M: NR	G: Nylon	F: 1"	G9: 27mm	Blank: none M: Manual Override B: Flow Control C: Manual Override + Flow Control	



SP311-1” NPT, Nylon, Normally Closed



Coil Data

AC Coil Family	
Voltage Code	Coil Number
YN02	C944
GN02	C944L
YN04	C802
GN04	C802L
YN24	C987
GN24	C987L

DC Coil Family	
Voltage Code	Coil Number
YN15	C999
GN15	C999L
YN16	C926
GN16	C926L

Kit Data

Operator	
Seal	Part Number
M	KSC3102VDA5

Rebuild Kit	
Seal	Part Number
M	KSP3102MGF