

## Table of Contents

- Page 1 – General Overview
- Page 2 – Normally Closed Valve Specifications
- Page 3 – Normally Open Valve Specifications
- Pages 4-6 – Part Number Selection
- Pages 7-11 – Drawings

## Construction

Wetted Components			
Body	303 SS (NS30)		Lead-Free Brass
	316 SS (NS20/21)		
Operator Tube	304 Stainless Steel		
Plunger & Tube Head	430FR Stainless Steel		
Springs	302 Stainless Steel		
Shading Ring	Copper		
Seals	EPDM		



## Coil Enclosures

- G Coil - 1/2" NPT Conduit Hub with 24" Lead Wires (NEMA 4/4X, IP65)
- Y Coil – DIN Form A – 18mm (NEMA 4, IP65)
- See Engineering Guide for additional coil enclosures

## Electrical

Series/ Mode	Wattage		Inrush (VA)		Holding (VA)	
	DC	AC	50 Hz	60 Hz	50 Hz	60 Hz
			Based on 120 VAC			
NS301	10	10	46	46	19	18
NS302	10	10	46	46	25	22
NS201	10	10	46	46	23	18
NS202	10	11	46	46	25	22
NS211	9	8	36	36	14	13
NS212	10	11	46	46	25	22
NS711	9	8	36	36	14	13
NS712	9	8	36	36	19	18

- All Coils Rated for 100% Duty Cycle
- Voltage Tolerance: ±10% from nominal

## Ambient Temperature (Nominal)

- 32°F to 140°F (0°C to 60°C)

## Maximum Fluid Temperature

- Stainless Steel & Lead-Free Brass: 180°F (82°C) – NSF-61 C. HOT
- Nylon-6: 73°F (23°C) – NSF-61 CLD 23

## Approvals\*

- UL Recognized
- CSA Certified
- CE Certified
- NSF 61-G: Drinking Water System Components (Includes Lead-Free Requirements)
- NSF 372: Drinking Water System Components (Lead Content Certification)

\*Not available for all variations

[Link to Online NSF Listing](#)





2-Way • Normally Closed & Normally Open • 1/8" to 2" NPT

# NSF Approved Solenoid Valves

Stainless Steel, Lead-Free Brass & Nylon-6 Bodies



Certified to NSF/ANSI/CAN 61-G & 372

## Normally Closed Valve Specifications (Closed when de-energized)

Pipe Size (NPT)	Orifice Size (in)	Flow Factor (Cv)	OPD <sup>①</sup> (PSI)			Part Number <sup>②</sup> (Shown with 120 VAC Lead Wire Coil)		
			Min.	Max. (Water)		Stainless Steel	Lead-Free Brass	Nylon-6 + 30% Glass Fill
				AC	DC			
1/8"	1/16	0.10	0	700	300	NS301GH02C2AC5	-	-
	5/64	0.15	0	500	240	NS301GH02C2AC7	-	-
	3/32	0.21	0	400	200	NS301GH02C2AC9	-	-
	7/64	0.29	0	350	170	NS301GH02C2AD3	-	-
	1/8	0.36	0	200	140	NS301GH02C2AD5	-	-
	5/32	0.44	0	150	100	NS301GH02C2AD7	-	-
	3/16	0.65	0	100	70	NS301GH02C2AE1	-	-
1/4"	1/16	0.10	0	700	300	NS301GH02C3BC5	-	-
	5/64	0.15	0	500	240	NS301GH02C3BC7	-	-
	3/32	0.21	0	400	200	NS301GH02C3BC9	-	-
	7/64	0.29	0	350	170	NS301GH02C3BD3	-	-
	1/8	0.36	0	200	140	NS301GH02C3BD5	-	-
	5/32	0.44	0	150	100	NS301GH02C3BD7	-	-
	3/16	0.65	0	100	70	NS301GH02C3BE1	-	-
3/8"	1/8	0.36	0	200	140	NS301GH02C3CD5	-	-
	3/16	0.65	0	100	70	NS301GH02C3CE1	-	-
	1/2	4.3	8	150	150	-	NS711GH02C9CG1	-
	5/8	4.3	0	140	90	NS201GH02C7CG4	-	NS201GH02CPCG4
	5/8	4.3	4	150	100	NS211GH02C7CG4	-	NS211GH02CPCG4
1/2"	1/2	4.3	8	150	150	-	NS711GH02C9DG1	-
	5/8	4.3	0	140	90	NS201GH02C7DG4	-	NS201GH02CPDG4
	5/8	4.3	4	150	100	NS211GH02C7DG4	-	NS211GH02CPDG4
3/4"	3/4	6.7	8	150	150	-	NS711GH02C9EG5	-
	3/4	6.7	0	140	90	NS201GH02C7EG5	-	NS201GH02CPEG5
	3/4	6.7	4	150	100	NS211GH02C7EG5	-	NS211GH02CPEG5
1"	1	13	8	150	150	-	NS711GH02C9FG9	-
	1	11	0	100	100	NS201GH02C7FG9	-	NS201GH02CPFG9
	1	13	5	150	150	NS211GH02C7FG9	-	NS211GH02CPFG9
1-1/4"	1-1/4	22	8	200	150	-	NS711GH02C9GJ2	-
	1-1/4	18	0	100	100	NS201GH02C7GJ2	-	-
	1-1/4	19	5	150	150	NS211GH02C7GJ2	-	-
1-1/2"	1-1/2	30	8	200	150	-	NS711GH02C9HJ5	-
	1-1/4	25	0	100	100	NS201GH02C7HJ2	-	-
	1-1/4	25	5	150	150	NS211GH02C7HJ2	-	-
2"	2	48	8	200	150	-	NS711GH02C9JJ2	-
	1-1/4	25	0	100	100	NS201GH02C7JJ2	-	-
	1-1/4	28	5	150	150	NS211GH02C7JJ2	-	-

① Operating Pressure Differential (OPD)

② See Part Number Selection Guide for Additional Voltages and Variations

3. MRP = 5X MOPD

800-828-0484

www.gcvalves.com

sales@gcvalves.com



2-Way • Normally Closed & Normally Open • 1/8" to 2" NPT

# NSF Approved Solenoid Valves

Stainless Steel, Lead-Free Brass & Nylon-6 Bodies



Certified to NSF/ANSI/CAN 61-G & 372

## Normally Open Valve Specifications (Open when de-energized)

Pipe Size (NPT)	Orifice Size (in)	Flow Factor (Cv)	OPD <sup>①</sup> (PSI)			Part Number <sup>②</sup> (Shown with 120 VAC Lead Wire Coil)		
			Min.	Max. (Water)		Stainless Steel	Lead-Free Brass	Nylon-6 + 30% Glass Fill
				AC	DC			
1/8"	1/16	0.10	0	325	325	NS302GH02C2AC5	-	-
	5/64	0.15	0	235	235	NS302GH02C2AC7	-	-
	3/32	0.20	0	150	150	NS302GH02C2AC9	-	-
	7/64	0.25	0	125	125	NS302GH02C2AD3	-	-
	1/8	0.30	0	100	100	NS302GH02C2AD5	-	-
	5/32	0.43	0	60	60	NS302GH02C2AD7	-	-
	3/16	0.65	0	40	40	NS302GH02C2AE1	-	-
1/4"	1/16	0.10	0	325	325	NS302GH02C3BC5	-	-
	5/64	0.15	0	235	235	NS302GH02C3BC7	-	-
	3/32	0.20	0	150	150	NS302GH02C3BC9	-	-
	7/64	0.25	0	125	125	NS302GH02C3BD3	-	-
	1/8	0.30	0	100	100	NS302GH02C3BD5	-	-
	5/32	0.43	0	60	60	NS302GH02C3BD7	-	-
	3/16	0.65	0	40	40	NS302GH02C3BE1	-	-
3/8"	1/2	4.3	7	200	150	-	NS712GH02C9CG1	-
	5/8	3.3	0	200	125	NS202GH02C7CG4	-	NS202GH02CPCG4
	5/8	3.3	3	200	125	NS212GH02C7CG4	-	NS212GH02CPCG4
1/2"	1/2	4.3	7	200	150	-	NS712GH02C9DG1	-
	5/8	4.3	0	200	125	NS202GH02C7DG4	-	NS202GH02CPDG4
	5/8	4.3	3	200	125	NS212GH02C7DG4	-	NS212GH02CPDG4
3/4"	3/4	6.7	7	200	150	-	NS712GH02C9EG5	-
	3/4	6.7	0	200	125	NS202GH02C7EG5	-	NS202GH02CPEG5
	3/4	6.7	3	200	125	NS212GH02C7EG5	-	NS212GH02CPEG5
1"	1	13	7	200	150	-	NS712GH02C9FG9	-
	1	13	5	150	150	NS212GH02C7FG9	-	NS212GH02CPFG9
1-1/4"	1-1/4	22	7	200	150	-	NS712GH02C9GJ2	-
	1-1/4	19	5	150	150	NS212GH02C7GJ2	-	-
1-1/2"	1-1/2	30	7	150	150	-	NS712GH02C9HJ5	-
	1-1/4	25	5	150	150	NS212GH02C7HJ2	-	-
2"	2	48	7	200	150	-	NS712GH02C9JJ7	-
	1-1/4	28	5	150	150	NS212GH02C7JJ2	-	-

① Operating Pressure Differential (OPD).

② See part number selection guide for additional voltages and variations.

3. MRP = 5X MOPD

800-828-0484

www.gcvalves.com

sales@gcvalves.com



2-Way • Normally Closed & Normally Open • 1/8" to 2" NPT

# NSF Approved Solenoid Valves

Stainless Steel, Lead-Free Brass & Nylon-6 Bodies



Certified to  
NSF/ANSI/CAN 61-G & 372

## NS30 Series Part Number Selection

Valve Series	Operating Mode	Coil Housing	Coil Class	Voltage	Seal Material	Body Material/ Pipe Size	Orifice Size
①	②	③	④	⑤	⑥	⑦	⑧
<b>NS30</b>	<b>1</b>	<b>G</b>	<b>H</b>	<b>02</b>	<b>C</b>	<b>2A</b>	<b>C5</b>

① **Valve Series**

<b>NS30</b>	Direct Acting
-------------	---------------

② **Operating Mode**

<b>1</b>	2-Way Normally Closed (NC)
<b>2</b>	2-Way Normally Open (NO)

③ **Coil Type**

<b>G</b>	1/2" NPT Conduit with 24" Lead Wires
<b>Y</b>	DIN (Form A – 18mm)

④ **Coil Class**

<b>H</b>	H Class Coil
----------	--------------

⑤ **Voltage**

<b>02</b>	120 VAC, 60 Hz; 110 VAC, 50 Hz
<b>03</b>	208 VAC, 60 Hz
<b>04</b>	240 VAC, 60 Hz; 220 VAC, 50 Hz
<b>24</b>	24 VAC, 50/60 Hz
<b>15</b>	12 VDC
<b>16</b>	24 VDC

⑥ **Seal Material**

<b>C</b>	EPDM
----------	------

⑦ **Body Material/Pipe Size**

<b>2A</b>	303 Stainless Steel, 1/8" NPT
<b>3B</b>	303 Stainless Steel, 1/4" NPT
<b>3C</b>	*303 Stainless Steel, 3/8" NPT

⑧ **Orifice Size**

<b>C5</b>	1/16"
<b>C7</b>	5/64"
<b>C9</b>	3/32"
<b>D3</b>	7/64"
<b>D5</b>	1/8"
<b>E1</b>	3/16"

⑨ **Optional Suffix**

<b>(blank)</b>	No Option
<b>C</b>	CE Declaration
<b>E</b>	CSA Certification
<b>M</b>	Manual Override (NC Valves Only)

\*3C Not Available with Normally Open Configuration

800-828-0484

[www.gcvalves.com](http://www.gcvalves.com)

[sales@gcvalves.com](mailto:sales@gcvalves.com)



2-Way • Normally Closed & Normally Open • 1/8" to 2" NPT

# NSF Approved Solenoid Valves

Stainless Steel, Lead-Free Brass & Nylon-6 Bodies



Certified to  
NSF/ANSI/CAN 61-G & 372

## NS20 & NS21 Series Part Number Selection

Valve Series	Operating Mode	Coil Housing	Coil Class	Voltage	Seal Material	Body Material/ Pipe Size
①	②	③	④	⑤	⑥	⑦
<b>NS20</b>	<b>1</b>	<b>G</b>	<b>H</b>	<b>02</b>	<b>C</b>	<b>7CG4</b>

① **Valve Series**

<b>NS20</b>	Zero-Differential Piloted Diaphragm
<b>NS21</b>	Piloted Diaphragm

② **Operating Mode**

<b>1</b>	2-Way Normally Closed (NC)
<b>2</b>	2-Way Normally Open (NO)

③ **Coil Type**

<b>G</b>	1/2" NPT Conduit with 24" Lead Wires
<b>Y</b>	DIN (Form A – 18mm)

④ **Coil Class**

<b>H</b>	H Class Coil
----------	--------------

⑤ **Voltage**

<b>02</b>	120 VAC, 60 Hz; 110 VAC, 50 Hz
<b>03</b>	208 VAC, 60 Hz
<b>04</b>	240 VAC, 60 Hz; 220 VAC, 50 Hz
<b>24</b>	24 VAC, 50/60 Hz
<b>15</b>	12 VDC
<b>16</b>	24 VDC

⑥ **Seal Material**

<b>C</b>	EPDM
----------	------

⑦ **Body Material/Pipe Size**

<b>PCG4</b>	Nylon-6, 3/8" NPT
<b>PDG4</b>	Nylon-6, 1/2" NPT
<b>PEG5</b>	Nylon-6, 3/4" NPT
<b>PFG9</b>	Nylon-6, 1" NPT
<b>7CG4</b>	316 Stainless Steel, 3/8" NPT
<b>7DG4</b>	316 Stainless Steel, 1/2" NPT
<b>7EG5</b>	316 Stainless Steel, 3/4" NPT
<b>7FG9</b>	316 Stainless Steel, 1" NPT
<b>7GJ2</b>	316 Stainless Steel, 1-1/4" NPT
<b>7HJ2</b>	316 Stainless Steel, 1-1/2" NPT
<b>7JJ2</b>	316 Stainless Steel, 2" NPT

⑧ **Optional Suffix**

<b>(blank)</b>	No Option
<b>C</b>	CE Declaration
<b>E</b>	CSA Certification
<b>K</b>	Mounting Bracket
<b>M</b>	Manual Override (NC Valves Only)



2-Way • Normally Closed & Normally Open • 1/8" to 2" NPT

# NSF Approved Solenoid Valves

Stainless Steel, Lead-Free Brass & Nylon-6 Bodies



Certified to  
NSF/ANSI/CAN 61-G & 372

## NS71 Series Part Number Selection

Valve Series	Operating Mode	Coil Housing	Coil Class	Voltage	Seal Material	Body Material/ Pipe Size
①	②	③	④	⑤	⑥	⑦
<b>NS71</b>	<b>1</b>	<b>G</b>	<b>H</b>	<b>02</b>	<b>C</b>	<b>9CG1</b>

① **Valve Series**

<b>NS71</b>	Piloted Diaphragm
-------------	-------------------

② **Operating Mode**

<b>1</b>	2-Way Normally Closed (NC)
<b>2</b>	2-Way Normally Open (NO)

③ **Coil Type**

<b>G</b>	1/2" NPT Conduit with 24" Lead Wires
<b>Y</b>	DIN (Form A – 18mm)

④ **Coil Class**

<b>H</b>	H Class Coil
----------	--------------

⑤ **Voltage**

<b>02</b>	120 VAC, 60 Hz; 110 VAC, 50 Hz
<b>03</b>	208 VAC, 60 Hz
<b>04</b>	240 VAC, 60 Hz; 220 VAC, 50 Hz
<b>24</b>	24 VAC, 50/60 Hz
<b>15</b>	12 VDC
<b>16</b>	24 VDC

⑥ **Seal Material**

<b>C</b>	EPDM
----------	------

⑦ **Body Material/Pipe Size**

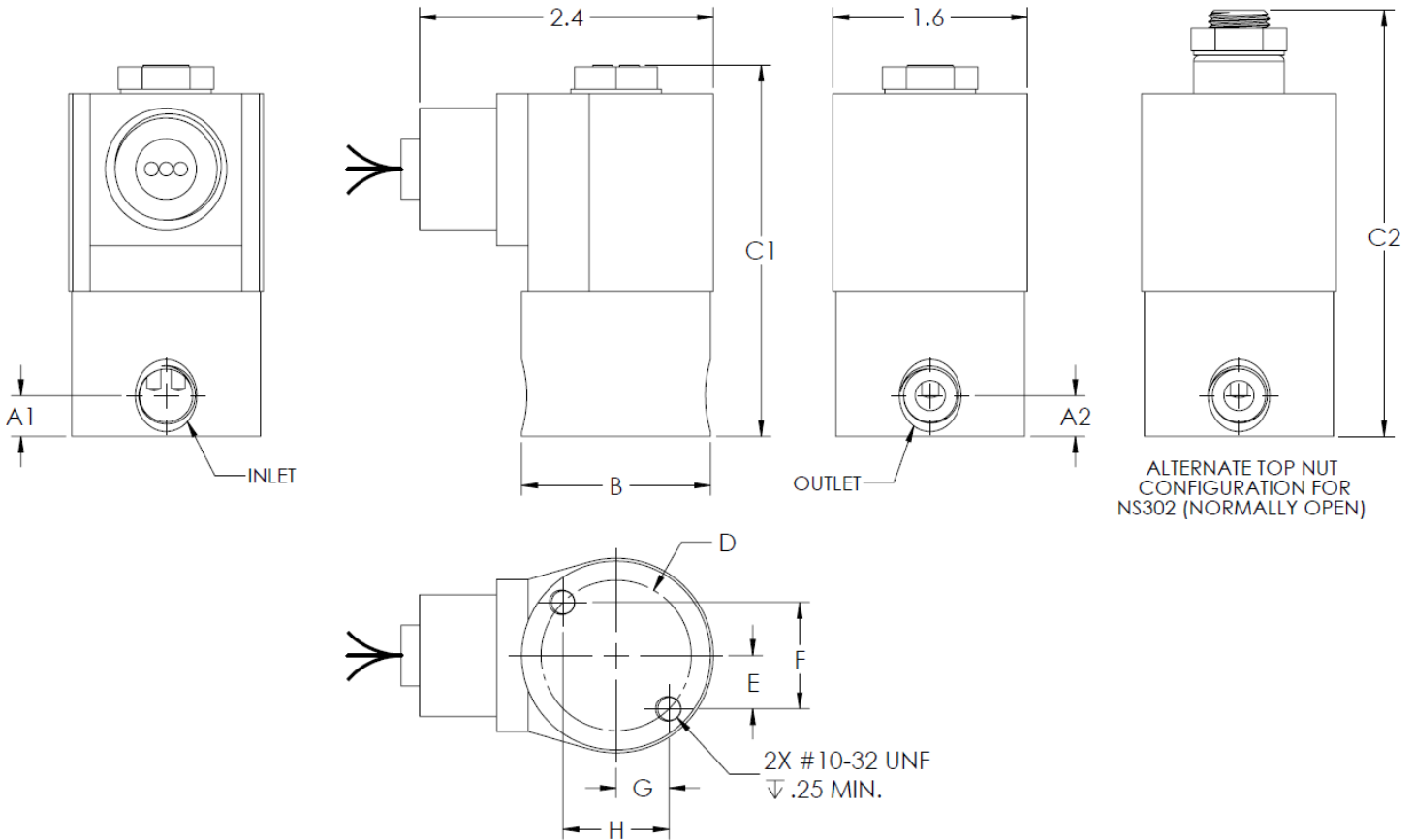
<b>9CG1</b>	Lead-Free Brass, 3/8" NPT
<b>9DG1</b>	Lead-Free Brass, 1/2" NPT
<b>9EG5</b>	Lead-Free Brass, 3/4" NPT
<b>9FG9</b>	Lead-Free Brass, 1" NPT
<b>9GJ2</b>	Lead-Free Brass, 1-1/4" NPT
<b>9HJ5</b>	Lead-Free Brass, 1-1/2" NPT
<b>9JJ7</b>	Lead-Free Brass, 2" NPT

⑧ **Optional Suffix**

<b>(blank)</b>	No Option
<b>C</b>	CE Declaration
<b>E</b>	CSA Certification
<b>K</b>	Mounting Bracket
<b>M</b>	Manual Override (NC Valves Only)

## Drawing 1

### NS30 Series – 1/8" to 3/8" – Stainless Steel

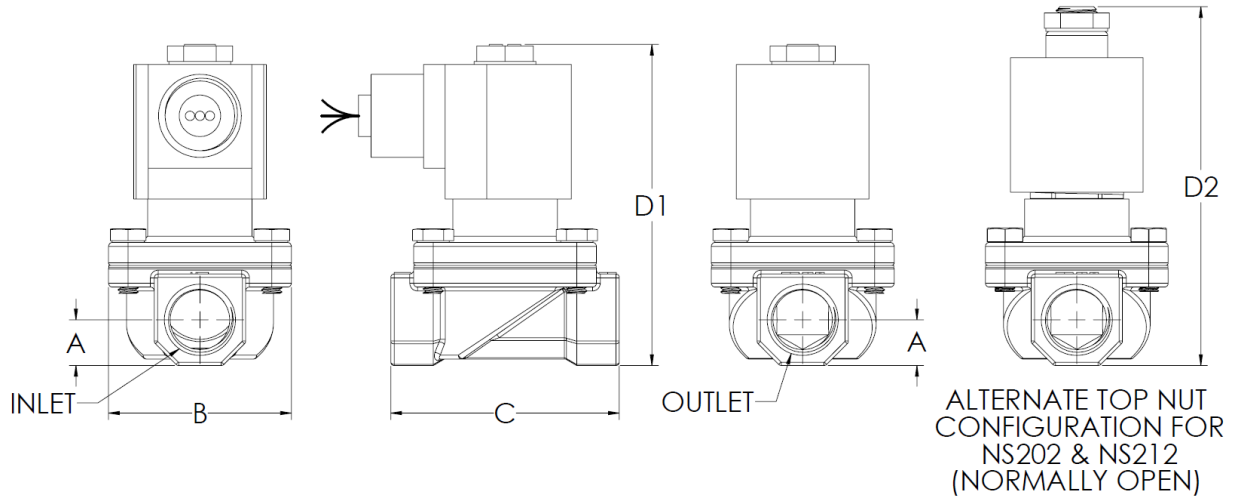


Pipe Size	Series/Mode	A1	A2	B	C1	C2	D	E	F	G	H	Weight
1/8" NPT	NS301	0.27	0.27	∅1.18	3.00	n/a	∅0.91	0.34	0.69	0.30	0.59	1.1 lb
	NS302	0.27	0.27	∅1.18	n/a	3.42	∅0.91	0.34	0.69	0.30	0.59	1.1 lb
1/4" NPT	NS301	0.34	0.34	∅1.55	3.15	n/a	∅1.23	0.44	0.88	0.44	0.88	1.1 lb
	NS302	0.34	0.34	∅1.55	n/a	3.49	∅1.23	0.44	0.88	0.44	0.88	1.1 lb
3/8" NPT	NS301	0.97	0.43	∅1.57	3.61	n/a	∅1.23	0.44	0.88	0.44	0.88	1.3 lb

- NS30 series valves can be mounted in any position.
- Dimensions shown in inches.
- Drawing not to scale.

## Drawing 2a

### NS20 & NS21 Series – 3/8" to 3/4" - Stainless Steel

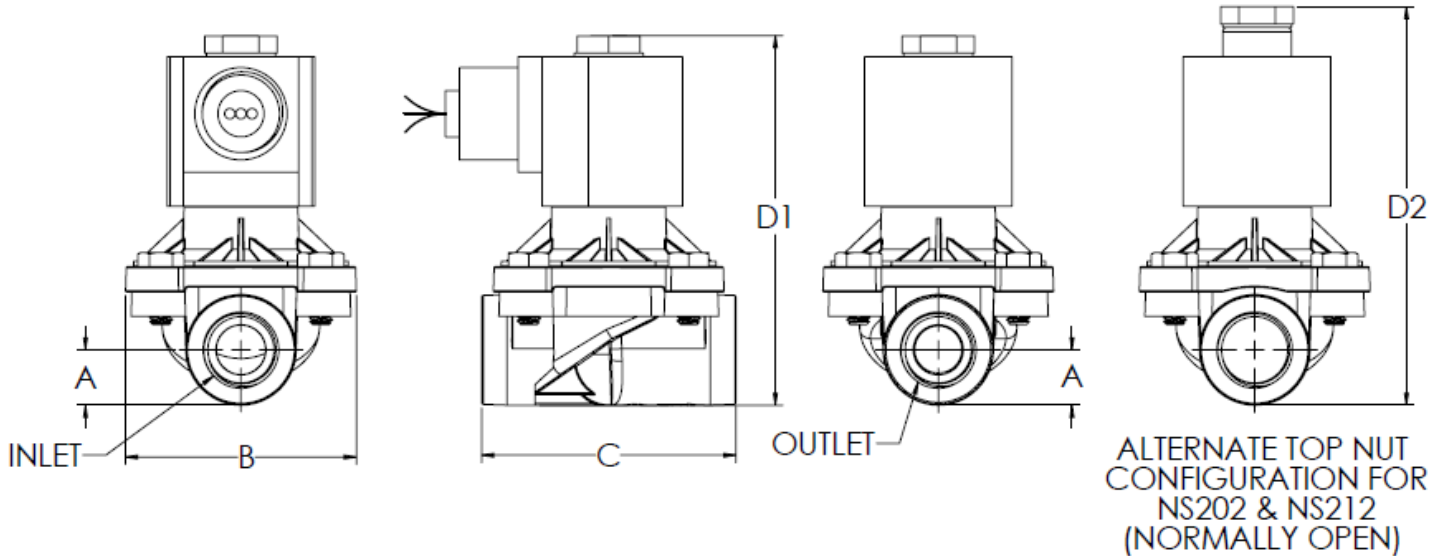


Pipe Size	Series/Mode	A	B	C	D1		D2	Weight
3/8" NPT	NS201	0.56	2.23	2.76	3.91		n/a	2.0 lb
	NS202	0.56	2.23	2.76	n/a		4.39	2.0 lb
	NS211	0.56	2.23	2.76	3.64 (AC)	4.06 (DC)	n/a	2.5 lb
	NS212	0.56	2.23	2.76	n/a		4.39	2.5 lb
1/2" NPT	NS201	0.56	2.23	2.76	3.91		n/a	2.0 lb
	NS202	0.56	2.23	2.76	n/a		4.39	2.0 lb
	NS211	0.56	2.23	2.76	3.64 (AC)	4.06 (DC)	n/a	2.5 lb
	NS212	0.56	2.23	2.76	n/a		4.39	2.5 lb
3/4" NPT	NS201	0.65	2.23	2.76	4.12		n/a	2.2 lb
	NS202	0.65	2.23	2.76	n/a		4.6	2.2 lb
	NS211	0.65	2.23	2.76	3.85 (AC)	4.27 (DC)	n/a	3.3 lb
	NS212	0.65	2.23	2.76	n/a		4.6	3.3 lb

- NS20 & NS21 series 3/8" to 3/4" valves can be mounted in any position.
- Dimensions shown in inches.
- Drawing not to scale.

## Drawing 2b

### NS20 & NS21 Series – 3/8" to 3/4" – Nylon-6

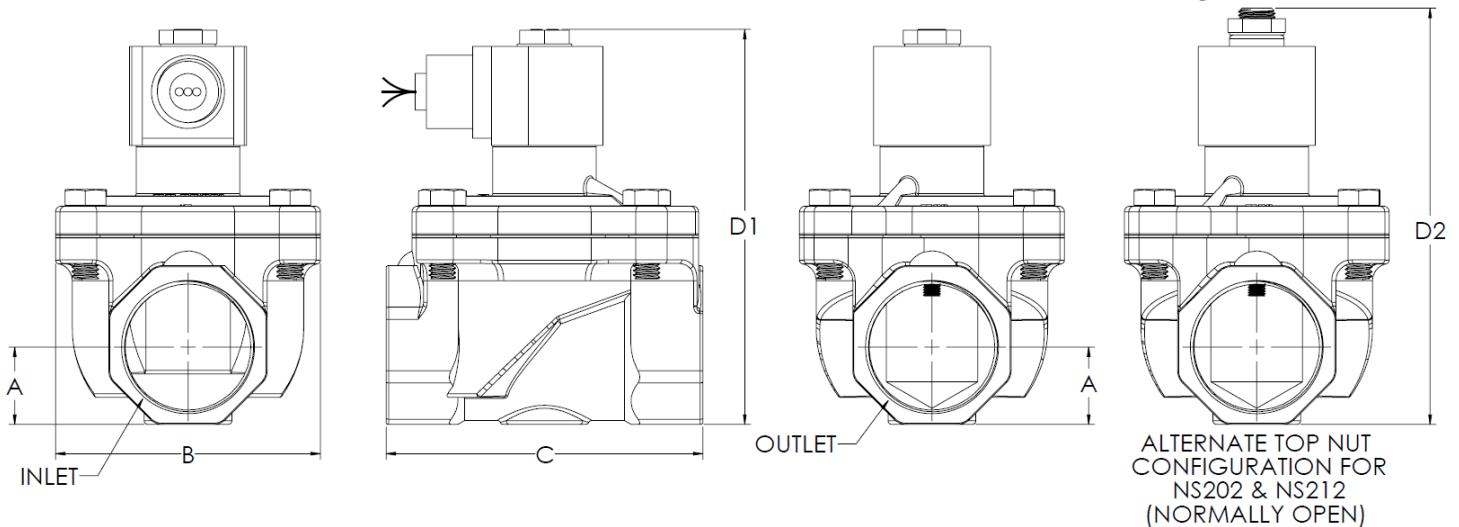


Pipe Size	Series/Mode	A	B	C	D1		D2	Weight
3/8" NPT	NS201	0.56	2.35	2.76	4.06		n/a	1.0 lb
	NS202	0.56	2.35	2.76	n/a		4.39	1.0 lb
	NS211	0.56	2.35	2.76	3.64 (AC)	4.06 (DC)	n/a	1.0 lb
	NS212	0.56	2.35	2.76	n/a		4.39	1.0 lb
1/2" NPT	NS201	0.60	2.50	2.76	4.00		n/a	1.0 lb
	NS202	0.60	2.50	2.76	n/a		4.47	1.0 lb
	NS211	0.60	2.50	2.76	3.73 (AC)	4.00 (DC)	n/a	1.0 lb
	NS212	0.60	2.50	2.76	n/a		4.47	1.0 lb
3/4" NPT	NS201	0.60	2.50	2.76	4.00		n/a	1.0 lb
	NS202	0.60	2.50	2.76	n/a		4.47	1.0 lb
	NS211	0.60	2.50	2.76	3.73 (AC)	4.00 (DC)	n/a	1.0 lb
	NS212	0.60	2.50	2.76	n/a		4.47	1.0 lb

- NS20 & NS21 series 3/8" to 3/4" valves can be mounted in any position.
- 3/8" valve appearance may vary from drawing shown above.
- Dimensions shown in inches.
- Drawing not to scale.

## Drawing 2c

### NS20 & NS21 Series – 1" to 2" – Stainless Steel, 1" – Nylon-6



Pipe Size	Series/Mode	A	B	C	D1	D2	Weight
1" NPT	NS201	0.84	3.22	3.70	5.07	n/a	6.4 lb
	NS211	0.84	3.22	3.70	4.74	n/a	6.4 lb
	NS212	0.84	3.22	3.70	n/a	5.08	6.4 lb
1-1/4" NPT	NS201	1.08	3.70	4.35	5.76	n/a	10.5 lb
	NS211	1.10	3.70	4.35	5.43	n/a	10.5 lb
	NS212	1.10	3.70	4.35	n/a	5.71	10.5 lb
1-1/2" NPT	NS201	1.10	3.70	4.35	5.76	n/a	10.5 lb
	NS211	1.10	3.70	4.35	5.43	n/a	10.5 lb
	NS212	1.10	3.70	4.35	n/a	5.71	10.5 lb
2" NPT	NS211	1.47	3.68	5.58	6.03	n/a	13.5 lb
	NS212	1.47	3.68	5.58	n/a	6.31	13.5 lb

Pipe Size	Series/Mode	A	B	C	D1	D2	Weight
1" NPT Nylon-6 Version Only	NS201	0.90	3.34	3.58	5.09	n/a	1.7 lb
	NS211	0.90	3.34	3.58	4.81	n/a	1.7 lb
	NS212	0.90	3.34	3.58	n/a	5.05	1.7 lb

- NS20 & NS21 series 1" to 2" valves should be mounted upright (tube pointing up).
- Nylon-6 version offered in 1" only, appearance may vary from drawing shown above.
- Dimensions shown in inches.
- Drawing not to scale.



2-Way • Normally Closed & Normally Open • 1/8" to 2" NPT

# NSF Approved Solenoid Valves

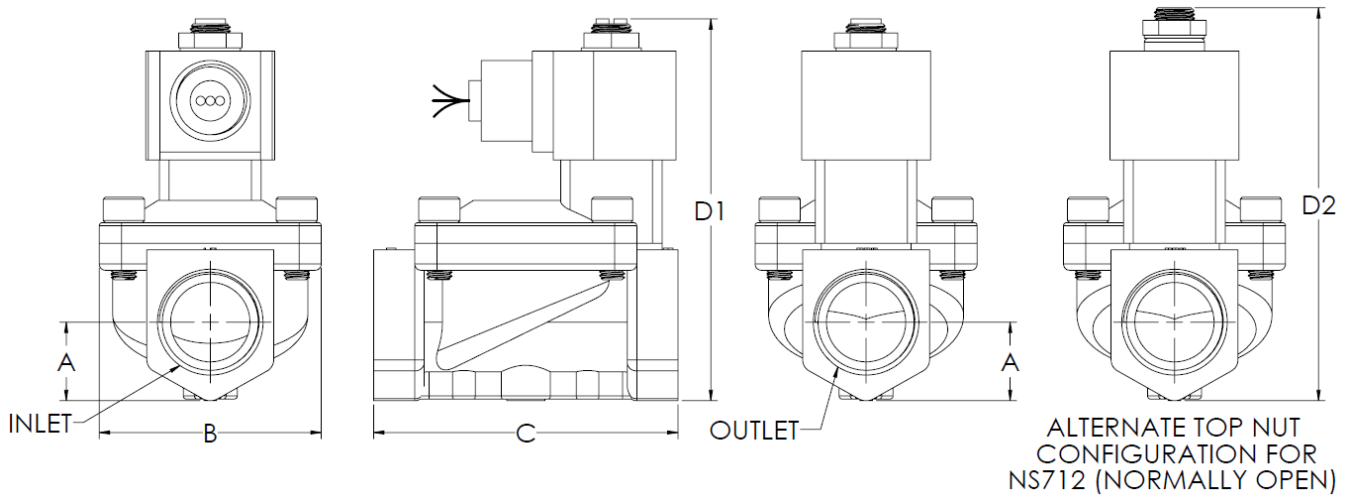
Stainless Steel, Lead-Free Brass & Nylon-6 Bodies



Certified to  
NSF/ANSI/CAN 61-G & 372

## Drawing 3

### NS71 Series – 3/8" to 2" – Lead-Free Brass



Pipe Size	Series/Mode	A	B	C	D1	D2	Weight
3/8" NPT	NS711	0.61	1.89	2.73	4.00	n/a	2.5 lb
	NS712	0.61	1.89	2.73	n/a	4.28	2.5 lb
1/2" NPT	NS711	0.61	1.89	2.73	4.00	n/a	2.5 lb
	NS712	0.61	1.89	2.73	n/a	4.28	2.5 lb
3/4" NPT	NS711	0.72	2.28	2.95	4.22	n/a	3.5 lb
	NS712	0.72	2.28	2.95	n/a	4.50	3.5 lb
1" NPT	NS711	1.00	2.76	3.78	4.73	n/a	6.0 lb
	NS712	1.00	2.76	3.78	n/a	5.01	6.0 lb
1-1/4" NPT	NS711	1.31	3.78	5.16	5.53	n/a	6.5 lb
	NS712	1.31	3.78	5.16	n/a	5.81	6.5 lb
1-1/2" NPT	NS711	1.31	3.78	5.16	5.53	n/a	7.0 lb
	NS712	1.31	3.78	5.16	n/a	5.81	7.0 lb
2" NPT	NS711	1.38	4.72	6.50	6.00	n/a	8.8 lb
	NS712	1.38	4.72	6.50	n/a	6.28	8.8 lb

- NS71 series valves 1" and below can be mounted in any position.
- NS71 series valves 1-1/4" and up should be mounted upright (tube pointing up).
- Dimensions shown in inches.
- Drawing not to scale.

800-828-0484

[www.gcvalves.com](http://www.gcvalves.com)

[sales@gcvalves.com](mailto:sales@gcvalves.com)