

- 1 1/2" NPT
- Brass Body
- 2-Way Piloted Diaphragm
- Normally Open

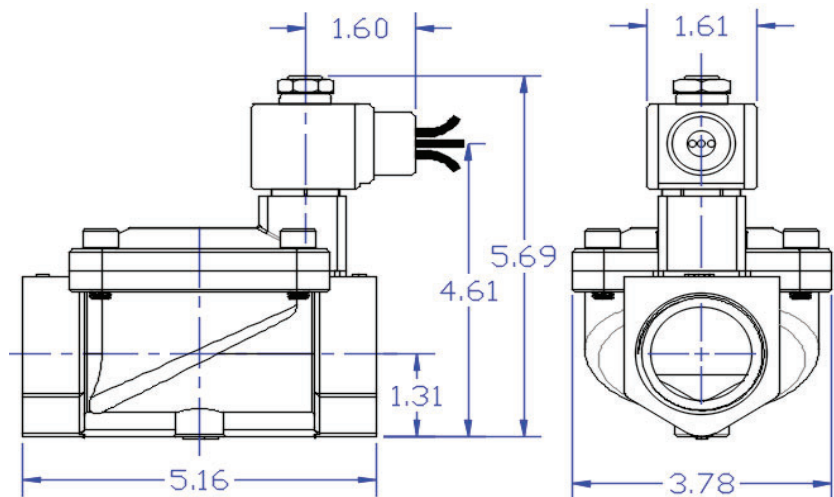


| | | |
|-----------------------|-----------------------|--|
| Materials | Seals: | Nitrile, Viton®, Ethylene Propylene |
| | Orifice: | Brass |
| Electrical | Standard Housing: | Encapsulated Waterproof Conduit (NEMA 4X) |
| | Optional Housings: | Metal Conduit, Explosion-Proof (NEMA 7), Grommet Open Frame, Junction Box (single or dual knockouts), DIN, Contact GC Valves Customer Svc. For others. |
| | Standard Voltages: | 24, 120, 240, AC, 60 and/or 50 Hz. Available 6, 12, 24 DC Contact GC Valves Customer Svc. For Additional Voltages |
| | Voltage Tolerance: | ± 10% of applicable voltage |
| | Coil Classes: | F, H, N |
| | Standard Lead Length: | 24 inches |
| Operating Temperature | Ambient (Nominal): | 32° F to 125° F |
| Mounting | Position: | Upright and Vertical |
| Approvals* | Agency: | UL Recognized, CSA Approved |

* Not available for all variations

Dimensions / Weight

| |
|----------------------|
| Weight (Lbs.) |
| 6 |

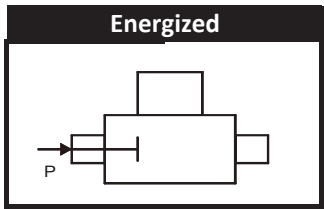
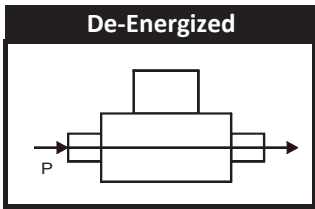
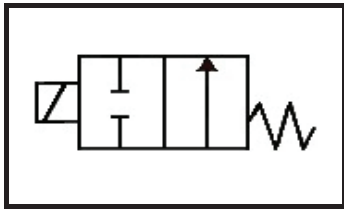




S712 - 1 1/2" NPT, Brass Body, Normally Open

Valve Selection List

Normally Open



| Pipe Size NPT | Orifice Size IN | CV | Minimum | Operating Pressure Differential (psi) | | | | | | | | Max Fluid Temp. °F | Seal Material | Power Consumption (Watts) | | Model Code (120V/60HZ — 110V/50HZ Shown) |
|------------------|--------------------|----|---------|---------------------------------------|-----|-------|-----|-----------|-----|--------|-----|--------------------------|---------------|---------------------------|----|--|
| | | | | Maximum | | | | | | | | | | AC | DC | |
| | | | | Air/Gas | | Water | | Light Oil | | Steam* | | | | | | |
| | | | | AC | DC | AC | DC | AC | DC | AC | DC | | | | | |
| 1 1/2 | 1 1/2 | 30 | 7 | 200 | 150 | 150 | 150 | — | — | — | — | 295 | EPR | 8 | 9 | S712GF02C9HJ5 |
| | 1 1/2 | 30 | 7 | 200 | 150 | 150 | 150 | 100 | 100 | — | — | 180 | Nitrile | 8 | 9 | S712GF02N9HJ5 |
| | 1 1/2 | 30 | 7 | 200 | 150 | 150 | 150 | 100 | 100 | — | — | 230 | Viton | 8 | 9 | S712G F02V9HJ5 |
| | 1 1/2 | 30 | 7 | — | — | — | — | — | — | 50* | 50* | 295 | EPR | 8 | 9 | S712GH02C9HJ5 |

* Class H Coil Recommended for Steam and Other High Temperature Applications

Part Numbering

| | | | | | | | | | | | | |
|--|----------|----------|------------------|------------|--------------------------|----------------------|----------|----------------------------------|---------------|-----------------|--------------|----------|
| 1 | 2 | 3 | 4 | 5 | 6 | 7 | 8 | 9 | 10 | 11 | 12 | 13 |
| S | 7 | 1 | 2 | G | F | 0 | 2 | C | 9 | H | J | 5 |
| Series | | | Operating Mode | Housing* | Coil Class* | Voltage* | | Seal Material | Body Material | Pipe Connection | Orifice Size | |
| S71 | | | 2: Normally Open | G: Conduit | F: Class F H: Class H | 02: 120/60 110/50 | | C: EPR N: Nitrile V: Viton | 9: Brass | H: 1 1/2" NPT | J5: 1 1/2" | |
| * See the "Engineering Guide" for additional voltages, variations and options. | | | | | | | | | | | | |

| Coil Family | |
|-------------|------|
| Type | Size |
| All | S3 |

| Frequency (Hz) | | 60 | 50 |
|--------------------|---------|----|----|
| Nominal Power (VA) | Inrush | 36 | 36 |
| | Holding | 18 | 19 |

GC Valves Customer Service: 800-828-0484 (7:30 AM to 5:00 PM ET)