

- 1 1/4" NPT
- Brass Body
- 2-Way Piloted Diaphragm
- Normally Open

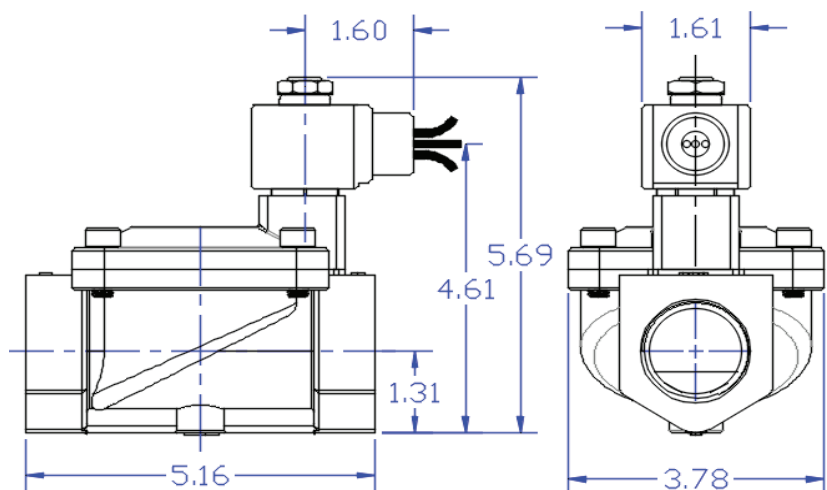


Materials	Seals:	Nitrile, Viton®, Ethylene Propylene
	Orifice:	Brass
Electrical	Standard Housing:	Encapsulated Waterproof Conduit (NEMA 4X)
	Optional Housings:	Metal Conduit, Explosion-Proof (NEMA 7), Grommet Open Frame, Junction Box (single or dual knockouts), DIN, Contact GC Valves Customer Svc. For others.
	Standard Voltages:	24, 120, 240, AC, 60 and/or 50 Hz. Available 6, 12, 24 DC Contact GC Valves Customer Svc. For Additional Voltages
	Voltage Tolerance:	± 10% of applicable voltage
	Coil Classes:	F, H, N
	Standard Lead Length:	24 inches
Operating Temperature	Ambient (Nominal):	32° F to 125° F
Mounting	Position:	Upright and Vertical
Approvals*	Agency:	UL Recognized, CSA Approved

* Not available for all variations

Dimensions / Weight

Weight (Lbs.)
6.2

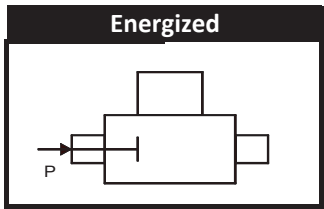
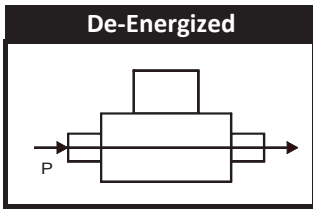
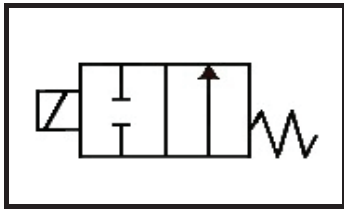




S712 - 1 1/4" NPT, Brass Body, Normally Open

Valve Selection List

Normally Open



Pipe Size NPT	Orifice Size IN	CV	Minimum	Operating Pressure Differential (psi)								Max Fluid Temp. °F	Seal Material	Power Consumption (Watts)		Model Code (120V/60HZ — 110V/50HZ Shown)
				Maximum										AC	DC	
				Air/Gas		Water		Light Oil		Steam*						
				AC	DC	AC	DC	AC	DC	AC	DC			AC	DC	
1 1/4	1 1/4	22	7	200	150	150	150	—	—	—	—	295	EPR	8	9	S712GF02C9GJ2
	1 1/4	22	7	200	150	150	150	100	100	—	—	180	Nitrile	8	9	S712GF02N9GJ2
	1 1/4	22	7	200	150	150	150	100	100	—	—	230	Viton	8	9	S712G F02V9GJ2
	1 1/4	22	7	—	—	—	—	—	—	50*	50*	295	EPR	8	9	S712GH02C9GJ2

* Class H Coil Recommended for Steam and Other High Temperature Applications

Part Numbering

1	2	3	4	5	6	7	8	9	10	11	12	13
S	7	1	2	G	F	0	2	C	9	G	J	2
Series			Operating Mode	Housing*	Coil Class*	Voltage*		Seal Material	Body Material	Pipe Connection	Orifice Size	
S71			2: Normally Open	G: Conduit	F: Class F H: Class H	02: 120/60 110/50		C: EPR N: Nitrile V: Viton	9: Brass	G: 1 1/4" NPT	J2: 1 1/4"	
* See the "Engineering Guide" for additional voltages, variations and options.												

Coil Data

Coil Family	
Type	Size
All	S3

Frequency (Hz)		60	50
Nominal Power (VA)	Inrush	36	36
	Holding	18	19

GC Valves Customer Service: 800-828-0484 (7:30 AM to 5:00 PM ET)