

- **1/2" NPT**
- **Brass Body**
- **3-Way Lever-Acting**
- **Universal**



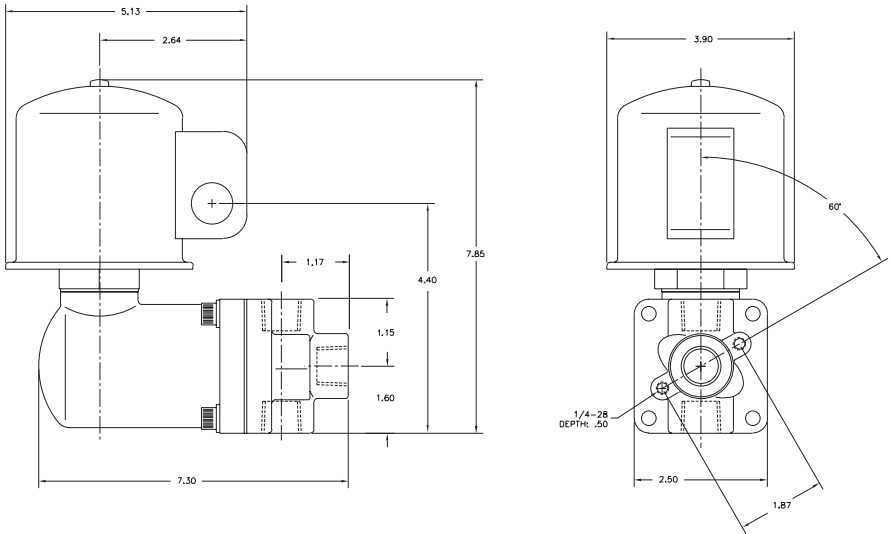
Materials	Seals:	Stainless Steel
	Orifices:	Stainless Steel
Electrical	Standard Housing:	Junction Box
	Optional Housings:	Conduit (NEMA1), Watertight (NEMA 4)
	Standard Voltages:	24, 120, 240 AC 60 Hz; 50 Hz available. Contact GC Valves Customer Service for additional voltages.
	Voltage Tolerance:	±10% of applicable voltage
	Coil Classes:	F, H
	Standard Lead Length:	6 inch
Operating Temperature	Ambient (Nominal):	32° to 125°F
Mounting	Position:	Vertical Only
Approvals*	Agency:	UL Listed

\* Not available for all variations

## Dimensions/Weight

**Weight (lbs.)**

8.8

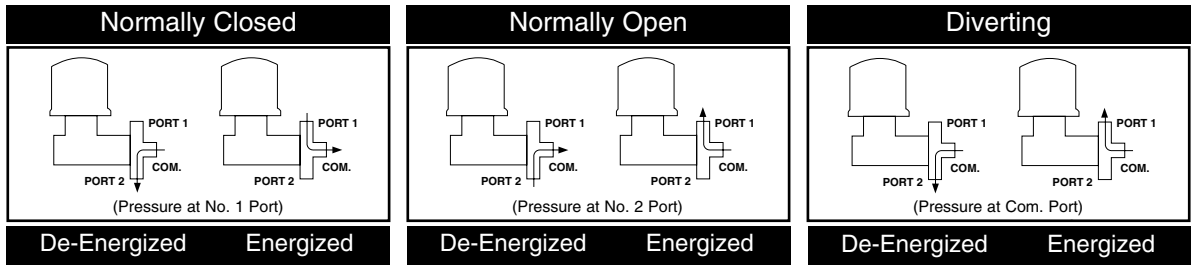




# K13 – 1/2" NPT, Brass Body, Universal

## Valve Selection List

Universal



Pipe Size NPT	Orifice Size IN	C <sub>V</sub>	Operating Pressure Differential (psi)							Max Fluid Temp. °F	Power Consumption (Watts)		Coil Class	Model Code
			Maximum						AC		DC	F*		( 120V/60HZ — 110V/50HZ ) Shown
			Water		Light Oil		#5 and #6 Heated Fuel Oil							
			AC	DC	AC	DC	AC	DC						
1/2	1/8	.25	0	275	—	275	—	275	—	250	28	—	F*	K13DF1242
	3/16	.58	0	125	—	125	—	125	—	250	28	—	F*	K13DF1342
	1/4	.85	0	100	—	100	—	100	—	250	28	—	F*	K13DF1442
	13/32	1.27	0	25	—	25	—	25	—	250	28	—	F*	K13DF1542

\* Class H Coil Recommended for High Temperature Applications

## Part Numbering

1	2	3	4	5	6	7	8	9
<b>K</b>	<b>1</b>	<b>3</b>	<b>D</b>	<b>F</b>	<b>1</b>	<b>2</b>	<b>4</b>	<b>2</b>
Series			Body Size	Housing*	Seal	Orifice Size	Pipe Connection	Voltage*
K13			D: Standard	F: Class F H: Class H	1: Stainless Steel	2: 1/8" 3: 3/16" 4: 1/4" 5: 13/32"	4: 1/2"	2: 120/60 110/50 4: 240/60 220/50
* See the "Engineering Guide" for additional voltages, variations and options.								

## Coil Data

Coil Family	
Type	Size
D	C300

Frequency (Hz)	60	50
Nominal Power (VA)	Inrush	278
	Holding	67

GC Valves Customer Service: 800-828-0484 (7:30am to 4pm ET) or 800-582-4232 (7:30am to 4pm PT)