

K13 Series



- **1/2" NPT**
- **Compact Brass Body**
- **3-Way Lever-Acting**
- **Universal**



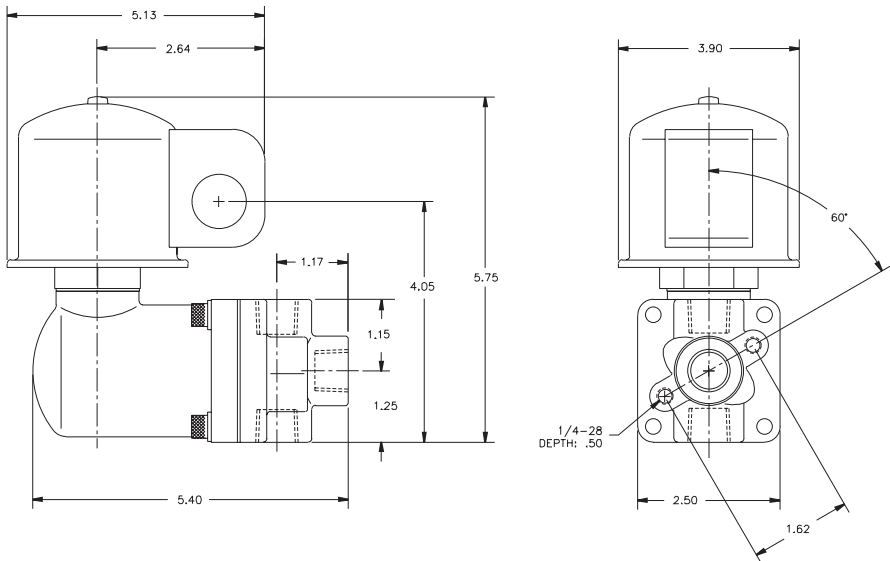
Materials	Seals:	Stainless Steel
	Orifices:	Stainless Steel
Electrical	Standard Housing:	Junction Box
	Optional Housings:	Conduit (NEMA1), Watertight (NEMA 4)
	Standard Voltages:	24, 120, 240 AC 60 Hz; 50 Hz available. Contact GC Valves Customer Service for additional voltages.
	Voltage Tolerance:	±10% of applicable voltage
	Coil Classes:	F, H
	Standard Lead Length:	6 inch
Operating Temperature	Ambient (Nominal):	32° to 125°F
Mounting	Position:	Vertical Only
Approvals*	Agency:	UL Listed

* Not available for all variations

Dimensions/Weight

Weight (lbs.)

4.5



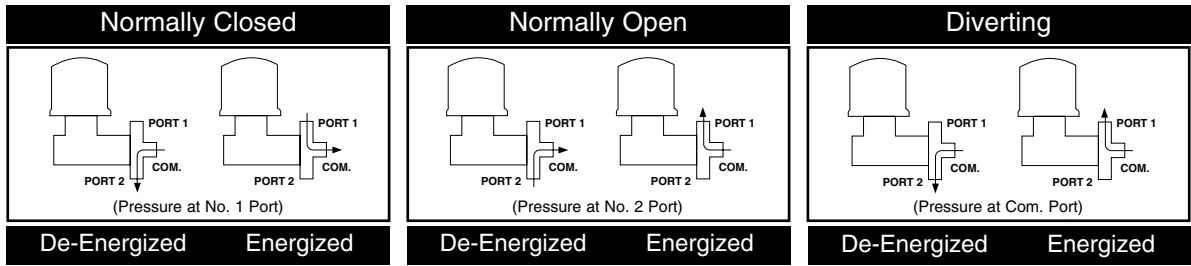
GC Valves Customer Service: 800-828-0484 (7:30am to 4pm ET) or 800-582-4232 (7:30am to 4pm PT)



K13 – 1/2" NPT, Compact Brass Body, Universal

Valve Selection List

Universal



Pipe Size NPT	Orifice Size IN	C _v	Minimum	Operating Pressure Differential (psi)						Max Fluid Temp. °F	Power Consumption (Watts)		Coil Class	Model Code
				Maximum							(120V/60HZ — 110V/50HZ) Shown			
				Water		Light Oil		#5 and #6 Heated Fuel Oil						
				AC	DC	AC	DC	AC	DC			AC		DC
1/2	1/8	.22	0	125	—	125	—	125	—	225	14	—	F*	K13CF1242
	1/4	.75	0	25	—	25	—	25	—	225	14	—	F*	K13CF1442

* Class H Coil Recommended for High Temperature Applications

Part Numbering

1	2	3	4	5	6	7	8	9
K	1	3	C	F	1	2	4	2
Series			Body Size	Housing*	Seal	Orifice Size	Pipe Connection	Voltage*
K13			C: Compact	F: Class F H: Class H	1: Stainless Steel	2: 1/8" 4: 1/4"	4: 1/2"	2: 120/60 110/50 4: 240/60 220/50
* See the "Engineering Guide" for additional voltages, variations and options.								

Coil Data

Coil Family	
Type	Size
C	C225

Frequency (Hz)	60	50	
Nominal Power (VA)	Inrush	120	120
	Holding	31	34

GC Valves Customer Service: 800-828-0484 (7:30am to 4pm ET) or 800-582-4232 (7:30am to 4pm PT)