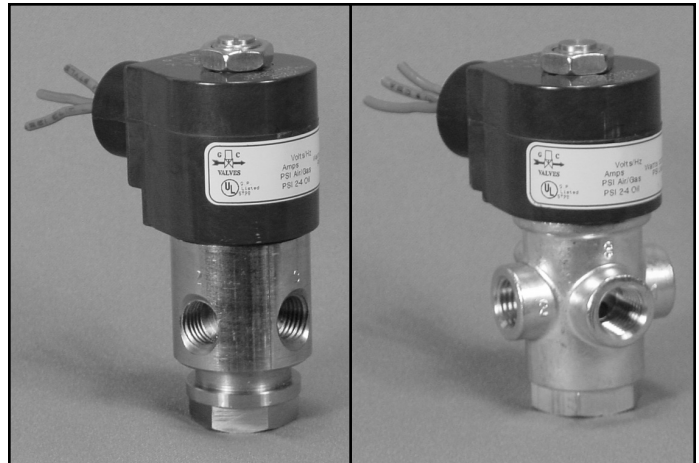


- 1/4" NPT
- Brass Body
- 3-Way Direct Acting
- Normally Closed

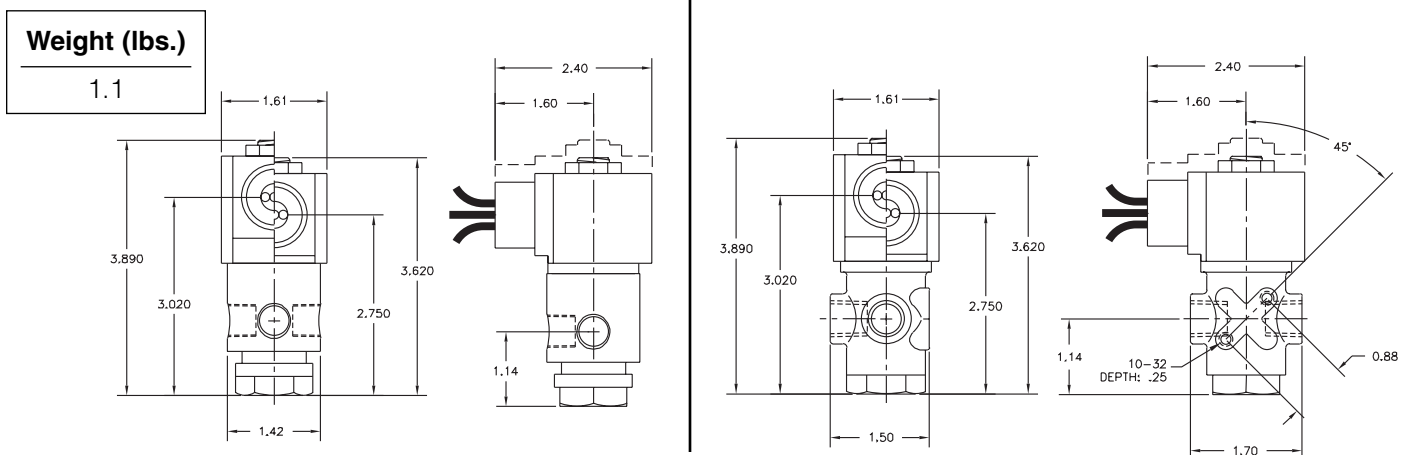


Materials	Seals:	Nitrile, Viton®, Ethylene Propylene
	Orifices:	Brass
Electrical	Standard Housing:	Encapsulated Waterproof Conduit (NEMA 4/4X)
	Optional Housings:	Metallic Conduit, Explosion-proof (NEMA 7), Grommet, Open Frame, Junction Box (single or dual knockouts), DIN; Contact GC Valves Customer Service for others.
	Standard Voltages:	24, 120, 240 AC 60 Hz; 50 Hz available 6, 12, 24 DC; Contact GC Valves Customer Service for Additional Voltages.
	Voltage Tolerance:	±10% of applicable voltage
	Coil Classes:	F, H, N
	Standard Lead Length:	24 inch
Operating Temperature	Ambient (Nominal):	32°F to 125°F
Mounting	Position	Any
Approvals*	Agency	UL Listed, UL Recognized, CSA Approved

* Not available for all variations

® Registered Trademark of DuPont Co.

Dimensions/Weight



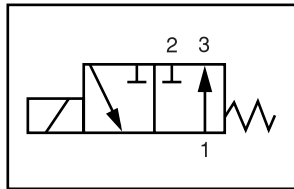
GC Valves Customer Service: 800-828-0484 (7:30am to 4pm ET) or 800-582-4232 (7:30am to 4pm PT)



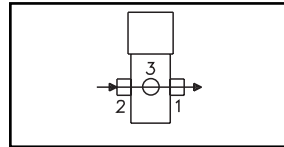
S333 – 1/4" NPT, Brass Body, Normally Closed

Valve Selection List

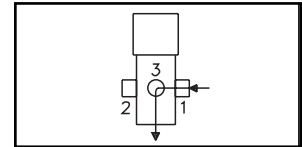
Normally Closed



Energized



De-Energized



Pipe Size NPT	Orifice Size IN	C _v	Minimum	Operating Pressure Differential (psi)						Max Fluid Temp. °F	Seal Material	Power Consumption (Watts)		Model Code (120V/60HZ — 110V/50HZ) Shown	
				Maximum								AC	DC		
				Air/Gas		Water		Light Oil							
				AC	DC	AC	DC	AC	DC			AC	DC	Brass Body	
Reduced Power	1/4	1/16	.09	0	160	100	160	100	—	—	295	EPR	8	9	S333GF02C3BC5
		3/32	.15	0	100	50	100	50	—	—	295	EPR	8	9	S333GF02C3BC9
		1/8	.26	0	50	30	50	30	—	—	295	EPR	8	9	S333GF02C3BD5
1/4	1/16	.09	0	200	160	200	160	—	—	295	EPR	10	10	S333GF02C4BC5	
		3/32	.15	0	150	114	150	114	—	—	295	EPR	10	10	S333GF02C4BC9
		1/8	.31	0	84	60	84	60	—	—	295	EPR	10	10	S333GF02C4BD5
		11/64	.38	0	45	24	45	24	—	—	295	EPR	10	10	S333GF02C4BD8
Reduced Power	1/4	1/16	.09	0	160	100	160	100	160	100	180	Nitrile	8	9	S333GF02N3BC5
		3/32	.15	0	100	50	100	50	100	50	180	Nitrile	8	9	S333GF02N3BC9
		1/8	.26	0	50	30	50	30	50	30	180	Nitrile	8	9	S333GF02N3BD5
1/4	1/16	.09	0	200	160	200	160	200	160	180	Nitrile	10	10	S333GF02N4BC5	
		3/32	.15	0	150	114	150	114	150	114	180	Nitrile	10	10	S333GF02N4BC9
		1/8	.31	0	84	60	84	60	84	60	180	Nitrile	10	10	S333GF02N4BD5
		11/64	.38	0	45	24	45	24	45	24	180	Nitrile	10	10	S333GF02N4BD8
Reduced Power	1/4	1/16	.09	0	160	100	160	100	160	100	230	Viton	8	9	S333GF02V3BC5
		3/32	.15	0	100	50	100	50	100	50	230	Viton	8	9	S333GF02V3BC9
		1/8	.26	0	50	30	50	30	50	30	230	Viton	8	9	S333GF02V3BD5
1/4	1/16	.09	0	200	160	200	160	200	160	230	Viton	10	10	S333GF02V4BC5	
		3/32	.15	0	150	114	150	114	150	114	230	Viton	10	10	S333GF02V4BC9
		1/8	.31	0	84	60	84	60	84	60	230	Viton	10	10	S333GF02V4BD5
		11/64	.38	0	45	24	45	24	45	24	230	Viton	10	10	S333GF02V4BD8

* Class H Coil Recommended for High Temperature Applications

GC Valves Customer Service: 800-828-0484 (7:30am to 4pm ET) or 800-582-4232 (7:30am to 4pm PT)

S333 – 1/4" NPT, Brass Body, Normally Closed



Part Numbering

1	2	3	4	5	6	7	8	9	10	11	12	13
S	3	3	3	G	F	0	2	C	3	B	C	5
Series			Operating Mode	Housing*	Coil Class*	Voltage*		Seal Material	Body Material	Pipe Connection	Orifice Size	
S33			3: Normally Closed	G: Conduit	F: Class F	02: 120/60 110/50		C: EPR N: Nitrile V: Viton	3: Brass 4: Brass	B: 1/4" NPT	C5: 1/16" C9: 3/32" D5: 1/8" D8: 11/64	
* See the "Engineering Guide" for additional voltages, variations and options.												

Coil Data

Coil Family	
Type	Size
(Body Code)	
3	S3
4	S4

Frequency (Hz)	60		50	
	3	4	3	4
Body	36	46	36	46
Nominal Power (VA)				
Inrush	13	18	14	
Holding				



S333 – 1/4" NPT, Brass Body, Normally Closed

This Page Intentionally Blank