

- High Performance
- 1" NPT
- Brass Body
- 2-Way Piloted Diaphragm
- Normally Closed



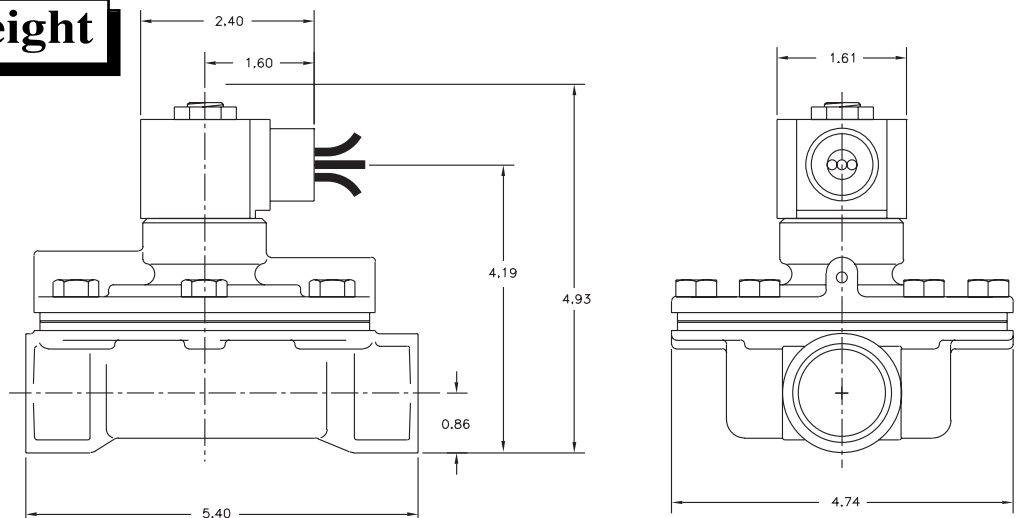
Materials	Seals:	Nitrile®, Teflon®
	Orifice:	Pilot: Stainless Steel Main: Brass Ø 1" - #4 Body; Stainless Steel Ø 1" - #2" Body
Electrical	Standard Housing:	Encapsulated Waterproof Conduit (NEMA 4/4X)
	Optional Housings:	Metallic Conduit, Explosion-proof (NEMA 7), Grommet, Open Frame, Junction Box (single or dual knockouts), DIN; Contact GC Valves Customer Service for others.
	Standard Voltages:	24, 120, 240 AC 60 Hz; 50 Hz available 6, 12, 24 DC; Contact GC Valves Customer Service for Additional Voltages.
	Voltage Tolerance:	±10% of applicable voltage
	Coil Classes:	F, H, N
	Standard Lead Length:	24 inch
Operating Temperature	Ambient (Nominal):	32°F to 125°F
Mounting	Position:	±15° From Vertical
Approvals*	Agency:	UL Listed, UL Recognized, CSA Approved

* Not available for all variations

® Registered Trademark of DuPont Co.

Dimensions/Weight

Weight (lbs.)
6.4

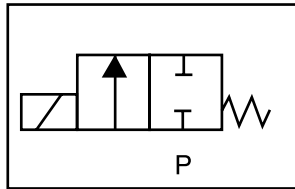




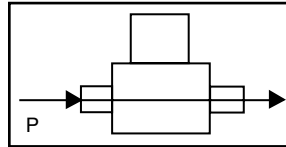
S211 – High Performance, 1" NPT, Brass Body, Normally Closed

Valve Selection List

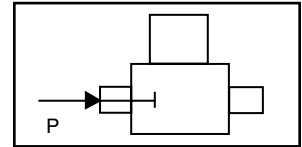
Normally Closed



Energized



De-Energized



Pipe Size NPT	Orifice Size IN	C _v	Minimum	Operating Pressure Differential (psi)								Max Fluid Temp. °F	Seal Material	Power Consumption (Watts)		Model Code (120V/60HZ — 110V/50HZ Shown)
				Maximum										AC	DC	
				Air/Gas		Water		Light Oil		Steam*				AC	DC	Brass Body
1	1	13	10	250	150	250	150	250	150	—	—	180	Nitrile	8	9	S211GF02N4FG9
	1	13	10	—	—	—	—	—	—	150*	150*	366	Teflon	8	9	S211GH02T2FG9

* Class H Coil Recommended for Steam and Other High Temperature Applications

Part Numbering

1	2	3	4	5	6	7	8	9	10	11	12	13
S	2	1	1	G	F	0	2	N	4	F	G	9
Series			Operating Mode	Housing*	Coil Class*	Voltage*		Seal Material	Body Material	Pipe Connection	Orifice Size	
S21			1: Normally Closed	G: Conduit	F: Class F H: Class H	02: 120/60 110/50		N: Nitrile T: Teflon/ EPR	4: Brass 2: Brass	F: 1" NPT	G9: 1"	
* See the "Engineering Guide" for additional voltages, variations and options.												

Coil Data

Coil Family	
Type	Size
All	S3

Frequency (Hz)	60	50
Nominal Power (VA)	Inrush	36
	Holding	13

GC Valves Customer Service: 800-828-0484 (7:30am to 4pm ET) or 800-582-4232 (7:30am to 4pm PT)