

- 2" NPT
- Stainless Steel Body
Type 316
- 2-Way Piloted Diaphragm
- Normally Open



Materials	Seals:	Nitrile, Viton®, Ethylene Propylene
	Orifice: Pilot Main	Stainless Steel Stainless Steel Ø 1 1/4"
Electrical	Standard Housing:	Encapsulated Waterproof Conduit (NEMA 4/4X)
	Optional Housings:	Metallic Conduit, Explosion-proof (NEMA 7), Grommet, Open Frame, Junction Box (single or dual knockouts), DIN; Contact GC Valves Customer Service for others.
	Standard Voltages:	24, 120, 240 AC 60 Hz; 50 Hz available 6, 12, 24 DC; Contact GC Valves Customer Service for Additional Voltages.
	Voltage Tolerance:	±10% of applicable voltage
	Coil Classes:	F, H, N
	Standard Lead Length:	24 inch
Operating Temperature	Ambient (Nominal):	32°F to 125°F
Mounting	Position:	Vertical and Upright
Approvals*	Agency:	UL Listed, UL Recognized, CSA Approved

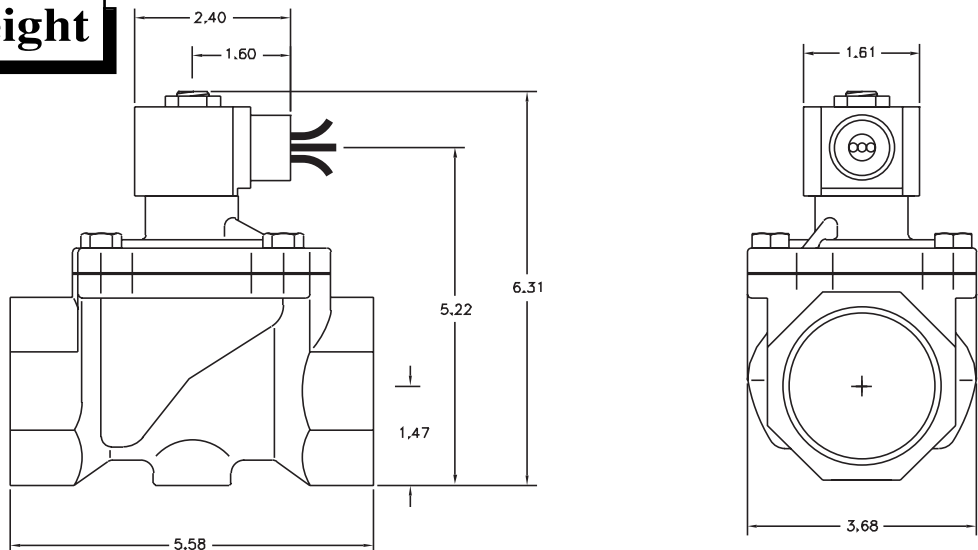
* Not available for all variations

® Registered Trademark of DuPont Co.

Dimensions/Weight

Weight (lbs.)

13.5



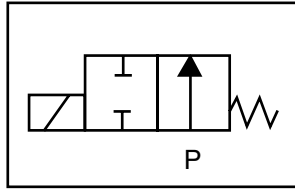
GC Valves Customer Service: 800-828-0484 (7:30am to 4pm ET) or 800-582-4232 (7:30am to 4pm PT)



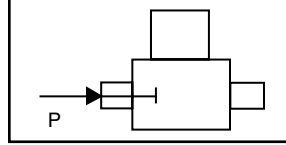
S212 – 2" NPT, Stainless Steel Body, Type 316, Normally Open

Valve Selection List

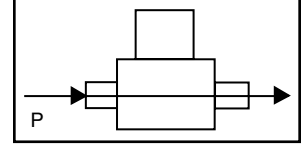
Normally Open



Energized



De-Energized



Pipe Size NPT	Orifice Size IN	C _v	Operating Pressure Differential (psi)								Max Fluid Temp. °F	Seal Material	Power Consumption (Watts)		Model Code (120V/60HZ — 110V/50HZ Shown)	
			Maximum										AC	DC		
			Air/Gas		Water		Light Oil		Steam*						Stainless Steel Body Type 316	
			Minimum	AC	DC	AC	DC	AC	DC	AC	DC					
2	1 1/4	28	5	200	150	150	150	—	—	—	—	295	EPR	9	9	S212GF02E7JJ2
	1 1/4	28	5	200	150	150	150	85	85	—	—	180	Nitrile	9	9	S212GF02J7JJ2
	1 1/4	28	5	200	150	150	150	85	85	—	—	230	Viton	9	9	S212GF02L7JJ2
	1 1/4	28	5	—	—	—	—	—	—	50*	50*	295	EPR	9	9	S212GH02E7JJ2

* Class H Coil Recommended for Steam and Other High Temperature Applications

Part Numbering

1	2	3	4	5	6	7	8	9	10	11	12	13
S	2	1	2	G	F	0	2	E	7	J	J	2
Series			Operating Mode	Housing*	Coil Class*	Voltage*		Seal Material	Body Material	Pipe Connection	Orifice Size	
S21			2: Normally Open	G: Conduit	F: Class F H: Class H	02: 120/60 110/50		E: EPR J: Nitrile L: Viton	7: 316 SS	J: 2" NPT	J2: 1 1/4"	
* See the "Engineering Guide" for additional voltages, variations and options.												

Coil Data

Coil Family	
Type	Size
ALL	S3

Frequency (Hz)	60	50	
Nominal Power (VA)	Inrush	36	36
	Holding	18	19

GC Valves Customer Service: 800-828-0484 (7:30am to 4pm ET) or 800-582-4232 (7:30am to 4pm PT)