



A DEMA Engineering Company

S21 Series

- 3/4" NPT
- Nylon Body
- 2-Way Piloted Diaphragm
- Normally Closed

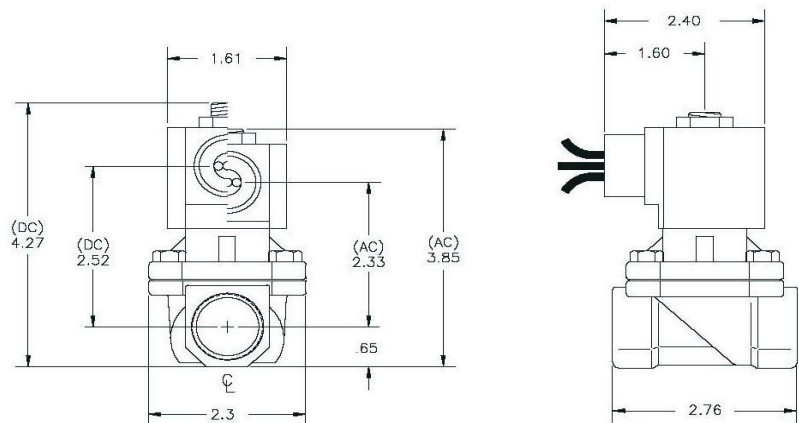


Materials	Seals:	Nitrile, FKM, Ethylene Propylene	
	Orifice:	Pilot	Stainless Steel
		Main	Glass Filled Nylon 3/4" Diameter
Electrical	Standard Housing:	Encapsulated Waterproof Conduit (NEMA 4X)	
	Optional Housings:	Metal Conduit, Explosion-Proof (NEMA 7), Grommet Open Frame, Junction Box (single or dual knockouts), DIN, Contact GC Valves Customer Svc. For others.	
	Standard Voltages:	24, 120, 240, AC, 60 and/or 50 Hz. Available 6, 12, 24 DC Contact GC Valves Customer Svc. For Additional Voltages	
	Voltage Tolerance:	± 10% of applicable voltage	
	Coil Classes:	F, H, N	
	Standard Lead Length:	24 inches	
Operating Temperature	Ambient (Nominal):	32° F to 125° F	
Mounting	Position:	Any	
Approvals*	Agency:	UL Recognized, CSA Approved, CE Certified	

* Not available for all variations

Dimensions / Weight

Weight (oz.)
14.4



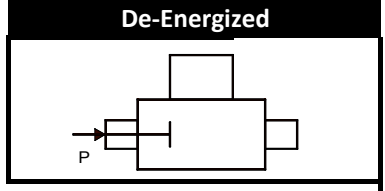
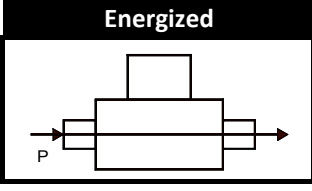
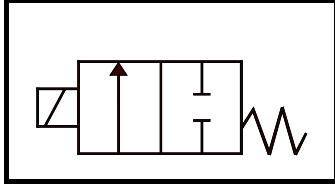
GC Valves Customer Service: 800-828-0484 (7:30 AM to 5:00 PM ET)



S211 - 3/4" NPT, Nylon Body, Normally Closed

Valve Selection List

Normally Closed



Pipe Size NPT	Orifice Size In.	Cv	Operating Pressure Differential (PSI)				Max. Fluid Temp. °F	Seal Material	Power Consumption (Watts)		Model Code (120V/60HZ-110V/50HZ) Shown	
			Maximum						AC	DC		
			Air/Gas		Water							
			Minimum	AC	DC	AC			DC	Stainless Steel Body		
3/4	3/4	6.7	4	200	150	150	100	295	EPR	8	8	S211GF02CPEG5
	3/4	6.7	4	200	150	150	100	180	Nitrile	8	8	S211GF02NPEG5
	3/4	6.7	4	200	150	150	100	230	FKM	8	8	S211GF02VPEG5

Part Numbering

S 2 1	1	G	F	0 2	C	P	E	G5
Series	Operating Mode	Housing*	Coil Class	Voltage*	Seal Material	Body Material	Pipe Connection	Orifice Size
S21	1: Normally Closed	G: Conduit	F: Class F	02: 120/60 110/50	C: EPR N: Nitrile V: FKM	P: Nylon	E: 3/4" NPT	G5: 3/4"

Coil Data

Coil Family	
Type	Size
AC	S3
DC	S4

Frequency (Hz)	60	50
Nominal Power (VA)	Inrush 36	36
	Holding 13	14

GC Valves Customer Service: 800-828-0484 (7:30 AM to 5:00 PM ET)