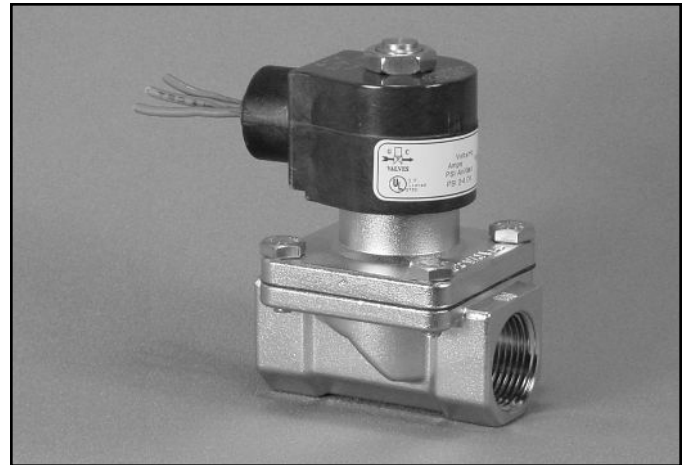


- 3/4" NPT
- Stainless Steel Body  
Type 316
- 2-Way Piloted Diaphragm
- Normally Closed



|                       |                        |   |
|-----------------------|------------------------|---|
| Materials             | Seals:                 | Nitrile, Viton®, Ethylene Propylene   |
|                       | Orifice: Pilot<br>Main | Stainless Steel<br>Stainless Steel Ø 3/4"   |
| Electrical            | Standard Housing:      | Encapsulated Waterproof Conduit (NEMA 4/4X)   |
|                       | Optional Housings:     | Metallic Conduit, Explosion-proof (NEMA 7), Grommet, Open Frame, Junction Box (single or dual knockouts), DIN; Contact GC Valves Customer Service for others. |
|                       | Standard Voltages:     | 24, 120, 240 AC 60 Hz; 50 Hz available<br>6, 12, 24 DC;<br>Contact GC Valves Customer Service for Additional Voltages.  |
|                       | Voltage Tolerance:     | ±10% of applicable voltage  |
|                       | Coil Classes:          | F, H, N   |
|                       | Standard Lead Length:  | 24 inch   |
| Operating Temperature | Ambient (Nominal):     | 32°F to 125°F   |
| Mounting              | Position:              | Any   |
| Approvals*            | Agency:                | UL Listed, UL Recognized, CSA Approved  |

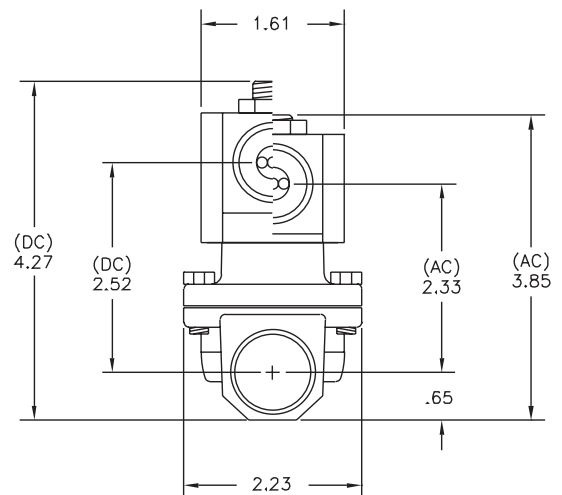
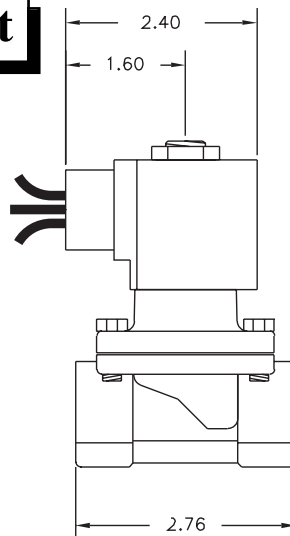
\* Not available for all variations

® Registered Trademark of DuPont Co.

## Dimensions/Weight

**Weight (lbs.)**

3.3



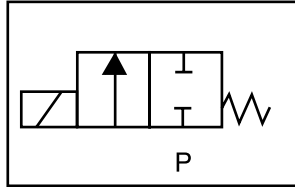
GC Valves Customer Service: 800-828-0484 (7:30am to 4pm ET) or 800-582-4232 (7:30am to 4pm PT)



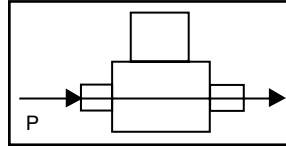
# S211 – 3/4" NPT, Stainless Steel Body, Type 316, Normally Closed

## Valve Selection List

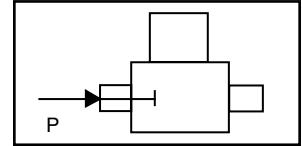
Normally Closed



Energized



De-Energized



| Pipe Size<br>NPT | Orifice Size<br>IN | C <sub>v</sub> | Minimum | Operating Pressure Differential (psi) |     |       |     |           |     |        |     | Max<br>Fluid Temp.<br>°F | Seal Material | Power<br>Consumption<br>(Watts) |    | Model Code<br>( 120V/60HZ — 110V/50HZ<br>Shown ) |
|------------------|--------------------|----------------|---------|---------------------------------------|-----|-------|-----|-----------|-----|--------|-----|--------------------------|---------------|---------------------------------|----|--|
|                  |                    |                |         | Maximum                               |     |       |     |           |     |        |     |                          |               | AC                              | DC |  |
|                  |                    |                |         | Air/Gas                               |     | Water |     | Light Oil |     | Steam* |     |                          |               |                                 |    |  |
|                  |                    |                |         | AC                                    | DC  | AC    | DC  | AC        | DC  | AC     | DC  |                          |               |                                 |    |  |
| 3/4              | 3/4                | 6.7            | 4       | 200                                   | 150 | 150   | 100 | —         | —   | —      | —   | 295                      | EPR           | 8                               | 10 | S211GF02E7EG5                                    |
|                  | 3/4                | 6.7            | 4       | 200                                   | 150 | 150   | 100 | 150       | 100 | —      | —   | 180                      | Nitrile       | 8                               | 10 | S211GF02J7EG5                                    |
|                  | 3/4                | 6.7            | 4       | 200                                   | 150 | 150   | 100 | 150       | 100 | —      | —   | 230                      | Viton         | 8                               | 10 | S211GF02L7EG5                                    |
|                  | 3/4                | 6.7            | 4       | —                                     | —   | —     | —   | —         | —   | 50*    | 50* | 295                      | EPR           | 8                               | 10 | S211GH02E7EG5                                    |

\* Class H Coil Recommended for Steam and Other High Temperature Applications

## Part Numbering

| 1  | 2        | 3        | 4                  | 5          | 6                        | 7                    | 8        | 9                                | 10            | 11              | 12           | 13       |
|--|----------|----------|--------------------|------------|--------------------------|----------------------|----------|----------------------------------|---------------|-----------------|--------------|----------|
| <b>S</b>   | <b>2</b> | <b>1</b> | <b>1</b>           | <b>G</b>   | <b>F</b>                 | <b>0</b>             | <b>2</b> | <b>E</b>                         | <b>7</b>      | <b>E</b>        | <b>G</b>     | <b>5</b> |
| Series   |          |          | Operating Mode     | Housing*   | Coil Class*              | Voltage*             |          | Seal Material                    | Body Material | Pipe Connection | Orifice Size |          |
| S21  |          |          | 1: Normally Closed | G: Conduit | F: Class F<br>H: Class H | 02: 120/60<br>110/50 |          | E: EPR<br>J: Nitrile<br>L: Viton | 7: 316 SS     | E: 3/4" NPT     | G5: 3/4"     |          |
| * See the "Engineering Guide" for additional voltages, variations and options. |          |          |                    |            |                          |                      |          |                                  |               |                 |              |          |

## Coil Data

| Coil Family |      |
|-------------|------|
| Type        | Size |
| AC          | S3   |
| DC          | S4   |

|                    |         |    |
|--------------------|---------|----|
| Frequency (Hz)     | 60      | 50 |
| Nominal Power (VA) | Inrush  | 36 |
|                    | Holding | 13 |

GC Valves Customer Service: 800-828-0484 (7:30am to 4pm ET) or 800-582-4232 (7:30am to 4pm PT)