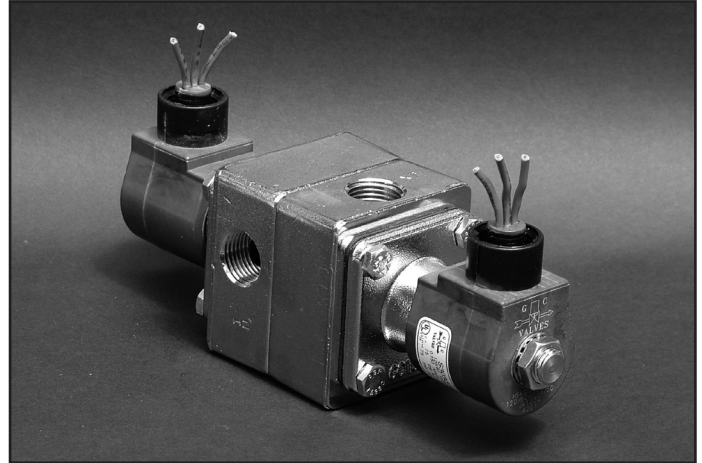


# M20 Series



- 3/4" NPT
- Stainless Steel Body  
Type 316
- 3-Way Differential  
Piloted Diaphragm
- Normally Open



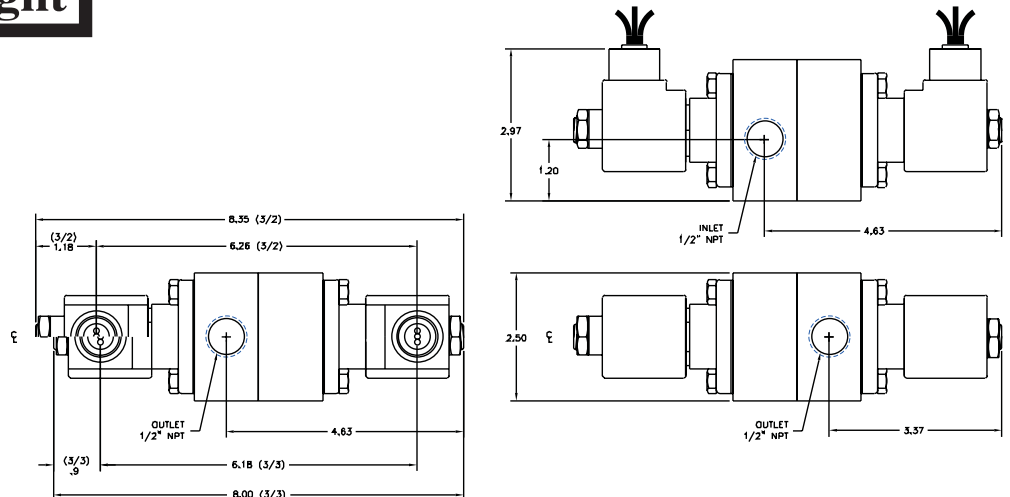
Materials	Seals:	Nitrile, Viton®, Ethylene Propylene
	Orifice: Pilot Main	Stainless Steel Stainless Steel Ø 3/4"
Electrical	Standard Housing:	Encapsulated Waterproof Conduit (NEMA 4/4X)
	Optional Housings:	Metallic Conduit, Explosion-proof (NEMA 7), Grommet, Open Frame, Junction Box (single or dual knockouts), DIN; Contact GC Valves Customer Service for others.
	Standard Voltages:	24, 120, 240 AC 60 Hz; 50 Hz available 6, 12, 24 DC; Contact GC Valves Customer Service for Additional Voltages.
	Voltage Tolerance:	±10% of applicable voltage
	Coil Classes:	F, H, N
	Standard Lead Length:	24 inch
Operating Temperature	Ambient (Nominal):	32°F to 125°F
Mounting	Position:	Any
Approvals*	Agency:	UL Recognized, CSA Approved

\* Not available for all variations

© Registered Trademark of DuPont Co.

## Dimensions/Weight

<b>Weight (lbs.)</b>
6.0



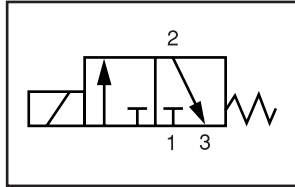
GC Valves Customer Service: 800-828-0484 (7:30am to 4pm ET) or 800-582-4232 (7:30am to 4pm PT)



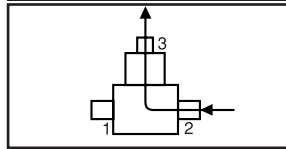
# M204 – 3/4" NPT, Stainless Steel Body -Type 316, Normally Open

## Valve Selection List

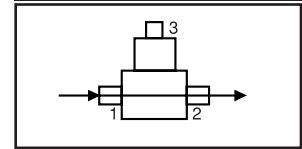
Normally Open



De-Energized



Energized



Pipe Size NPT	Orifice Size IN	C <sub>v</sub>	Operating Pressure Differential (psi)								Max Fluid Temp. °F	Seal Material	Power Consumption (Watts)		Model Code ( 120V/60HZ — 110V/50HZ ) Shown  Stainless Steel Body Type 316
			Maximum										AC	DC	
			Air/Gas		Water		Light Oil		Steam*						
			AC	DC	AC	DC	AC	DC	AC						
3/4	3/4	6.7	0	140	90	140	90	—	—	—	295	EPR	20	20	M204GF02E7EG5
	3/4	6.7	0	140	90	140	90	90	70	—	180	Nitrile	20	20	M204GF02J7EG5
	3/4	6.7	0	140	90	140	90	90	70	—	230	Viton	20	20	M204GF02L7EG5
	3/4	6.7	0	—	—	—	—	—	—	50*	295	EPR	20	—	M204GH02E7EG5

\* Class H Coil Recommended for Steam and Other High Temperature Applications

## Part Numbering

1	2	3	4	5	6	7	8	9	10	11	12	13
<b>M</b>	<b>2</b>	<b>0</b>	<b>4</b>	<b>G</b>	<b>F</b>	<b>0</b>	<b>2</b>	<b>E</b>	<b>7</b>	<b>E</b>	<b>G</b>	<b>5</b>
Series			Operating Mode	Housing*	Coil Class*	Voltage*		Seal Material	Body Material	Pipe Connection	Orifice Size	
M20			4: Normally Open	G: Conduit	F: Class F H: Class H	02: 120/60 110/50		E: EPR J: Nitrile L: Viton	7: 316 SS	E: 3/4" NPT	G5: 3/4"	
* See the "Engineering Guide" for additional voltages, variations and options.												

## Coil Data

Coil Family	
Type	Size
All	S4

Frequency (Hz)	60	50
Nominal Power (VA)	Inrush	46
	Holding	18
		23

GC Valves Customer Service: 800-828-0484 (7:30am to 4pm ET) or 800-582-4232 (7:30am to 4pm PT)