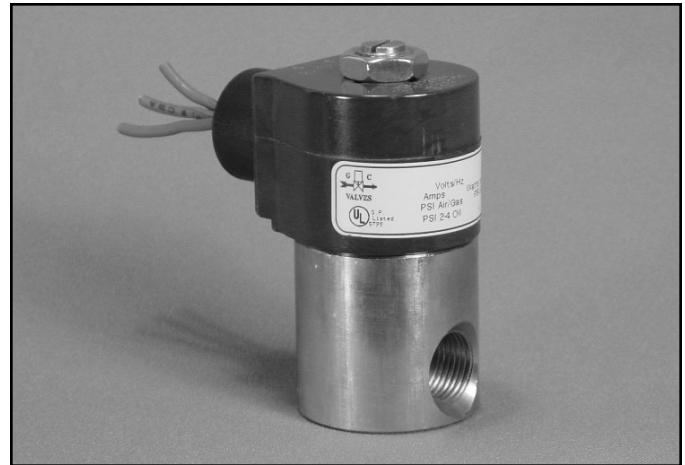


3/8" NPT Stainless Steel Body 2-Way Direct Acting Normally Closed

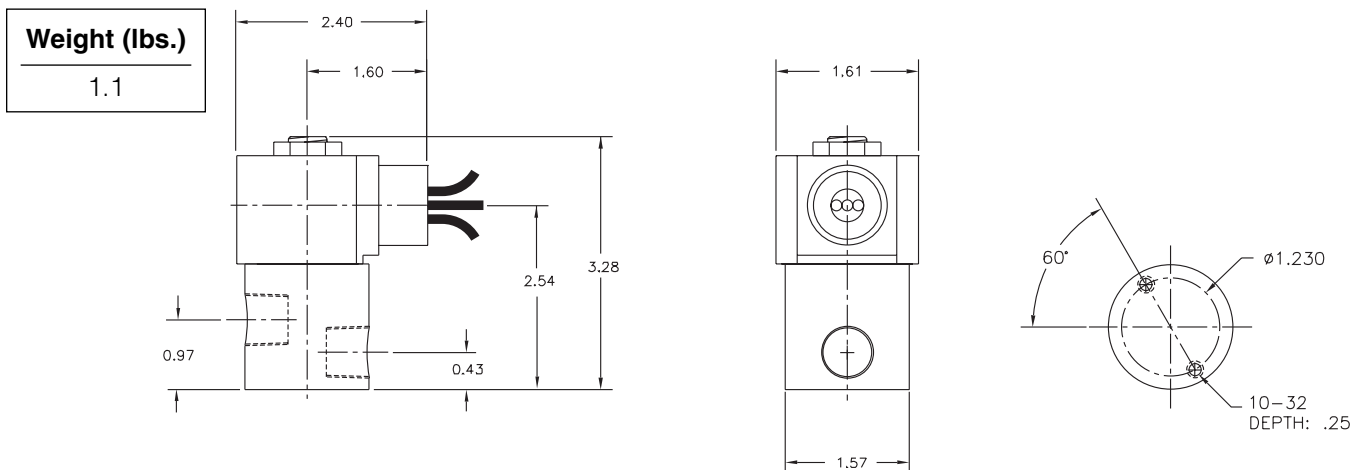


Materials	Seals:	Nitrile, Viton®, Ethylene Propylene, Teflon®, Rulon
	Orifice:	Stainless Steel
Electrical	Standard Housing:	Encapsulated Waterproof Conduit (NEMA 4/4X)
	Optional Housings:	Metallic Conduit, Explosion-proof (NEMA 7), Grommet, Open Frame, Junction Box (single or dual knockouts), DIN; Contact GC Valves Customer Service for others.
	Standard Voltages:	24, 120, 240 AC 60 Hz; 50 Hz available 6, 12, 24 DC; Contact GC Valves Customer Service for Additional Voltages.
	Voltage Tolerance:	±10% of applicable voltage
	Coil Classes:	F, H, N
	Standard Lead Length:	24 inch
Operating Temperature	Ambient (Nominal):	32°F to 125°F
Mounting	Position:	Any
Approvals*	Agency:	UL Safety Shutoff, UL Listed, UL Recognized, CSA Approved, FM Certified

* Not available for all variations

© Registered Trademark of DuPont Co.

Dimensions/Weight



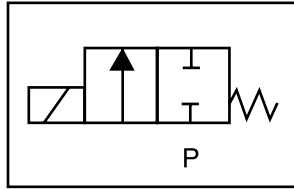
GC Valves Customer Service: 800-828-0484 (7:30am to 4pm ET) or 800-582-4232 (7:30am to 4pm PT)



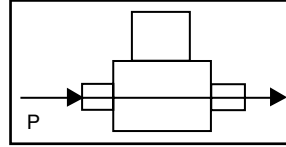
S311 – 3/8" NPT, Stainless Steel Body, Normally Closed

Valve Selection List

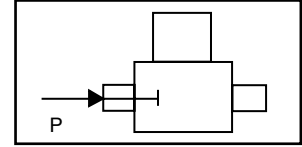
Normally Closed



Energized



De-Energized



Pipe Size NPT	Orifice Size in.	C _v	Minimum	Operating Pressure Differential (psi)								Max Fluid Temp. °F	Seal Material	Power Consumption (Watts)		Model Code (120V/60HZ — 110V/50HZ Shown)
				Maximum										AC	DC	
				Air/Gas		Water		Light Oil		Steam*						
				AC	DC	AC	DC	AC	DC	AC	DC			AC	DC	Stainless Steel Body
3/8	1/8	.32	0	155	60	155	60	—	—	150*	60*	295	EPR	8	9	S311GF02C3CD5
	3/16	.49	0	75	20	75	20	—	—	75*	20*	295	EPR	8	9	S311GF02C3CE1
	1/4	.85	0	50	20	50	20	—	—	50*	20*	295	EPR	8	9	S311GF02C3CE7
	9/32	1.0	0	35	15	35	15	—	—	35*	15*	295	EPR	8	9	S311GF02C3CF1
	3/8	1.3	0	15	5	15	5	—	—	15*	5*	295	EPR	8	9	S311GF02C3CF5
3/8	1/8	.32	0	155	60	155	60	155	60	—	—	180	Nitrile	8	9	S311GF02N3CD5
	3/16	.49	0	75	20	75	20	75	20	—	—	180	Nitrile	8	9	S311GF02N3CE1
	1/4	.85	0	50	20	50	20	50	20	—	—	180	Nitrile	8	9	S311GF02N3CE7
	9/32	1.0	0	35	15	35	15	35	15	—	—	180	Nitrile	8	9	S311GF02N3CF1
	3/8	1.3	0	15	5	15	5	15	5	—	—	180	Nitrile	8	9	S311GF02N3CF5
3/8	1/8	.32	0	155	60	155	60	155	60	—	—	230	Viton	8	9	S311GF02V3CD5
	3/16	.49	0	75	20	75	20	75	20	—	—	230	Viton	8	9	S311GF02V3CE1
	1/4	.85	0	50	20	50	20	50	20	—	—	230	Viton	8	9	S311GF02V3CE7
	9/32	1.0	0	35	15	35	15	35	15	—	—	230	Viton	8	9	S311GF02V3CF1
	3/8	1.3	0	15	5	15	5	15	5	—	—	230	Viton	8	9	S311GF02V3CF5
3/8	1/8	.32	0	155	60	155	60	155	60	150*	60*	366	Rulon	8	9	S311GF02R3CD5
	3/16	.49	0	75	20	75	20	75	20	75*	20*	366	Rulon	8	9	S311GF02R3CE1
	1/4	.85	0	50	20	50	20	50	20	50*	20*	366	Rulon	8	9	S311GF02R3CE7
	9/32	1.0	0	35	15	35	15	35	15	35*	15*	366	Rulon	8	9	S311GF02R3CF1
	3/8	1.3	0	15	5	15	5	15	5	15*	5*	366	Rulon	8	9	S311GF02R3CF5
3/8	1/8	.32	0	155	60	155	60	155	60	150*	60*	366	Teflon	8	9	S311GF02T3CD5
	3/16	.49	0	75	20	75	20	75	20	75*	20*	366	Teflon	8	9	S311GF02T3CE1
	1/4	.85	0	50	20	50	20	50	20	50*	20*	366	Teflon	8	9	S311GF02T3CE7
	9/32	1.0	0	35	15	35	15	35	15	35*	15*	366	Teflon	8	9	S311GF02T3CF1
	3/8	1.3	0	15	5	15	5	15	5	15*	5*	366	Teflon	8	9	S311GF02T3CF5

* Class H Coil Recommended for Steam and Other High Temperature Applications

GC Valves Customer Service: 800-828-0484 (7:30am to 4pm ET) or 800-582-4232 (7:30am to 4pm PT)

S311 – 3/8" NPT, Stainless Steel Body, Normally Closed



Part Numbering

1	2	3	4	5	6	7	8	9	10	11	12	13
S	3	1	1	G	F	0	2	C	3	C	D	5
Series			Operating Mode	Housing*	Coil Class*	Voltage*		Seal Material	Body Material	Pipe Connection	Orifice Size	
S31			1: Normally Closed	G: Conduit	F: Class F H: Class H	02: 120/60 110/50		C: EPR N: Nitrile V: Viton R: Rulon T: Teflon	3: Stainless Steel	C: 3/8" NPT	D5: 1/8" E1: 3/16" E7: 1/4" F1: 9/32" F5: 3/8"	
* See the "Engineering Guide" for additional voltages, variations and options.												

Coil Data

Coil Family	
Type	Size
All	S3

Frequency (Hz)	60	50
Nominal Power (VA)	Inrush	36
	Holding	13



S311 – 3/8" NPT, Stainless Steel Body, Normally Closed

This Page Intentionally Blank