

H40 Series



- High Pressure
- 3/8" NPT
- Stainless Steel Body
- 2-Way Piloted Piston
- Normally Closed



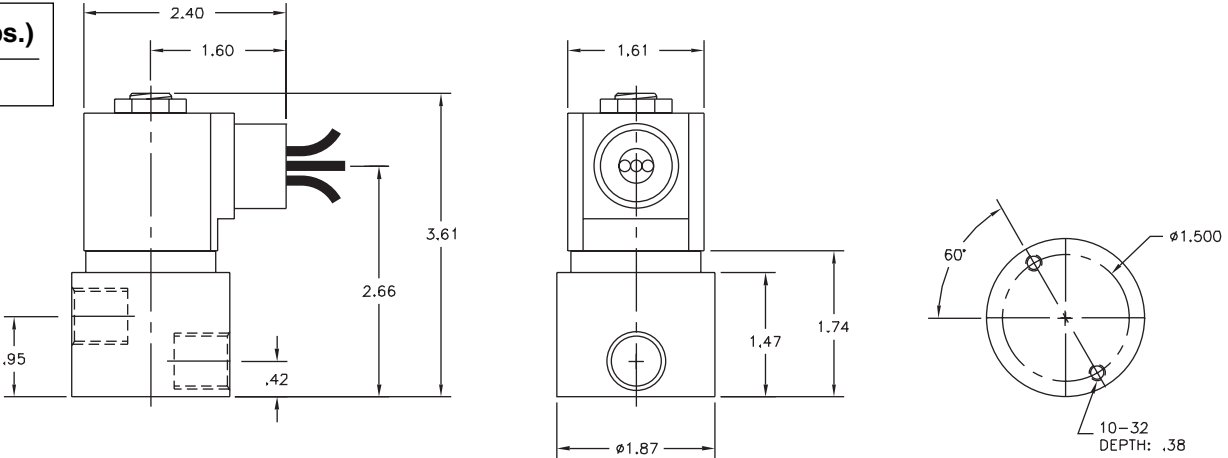
Materials	Seals:	Viton® and Teflon®
	Orifice: Pilot Main	Stainless Steel Stainless Steel Ø 3/8"
Electrical	Standard Housing:	Encapsulated Waterproof Conduit (NEMA 4/4X)
	Optional Housings:	Metallic Conduit, Explosion-proof (NEMA 7), Grommet, Open Frame, Junction Box (single or dual knockouts), DIN; Contact GC Valves Customer Service for others.
	Standard Voltages:	24, 120, 240 AC 60 Hz; 50 Hz available 6, 12, 24 DC; Contact GC Valves Customer Service for Additional Voltages.
	Voltage Tolerance:	±10% of applicable voltage
	Coil Classes:	F, H, N
	Standard Lead Length:	24 inch
Operating Temperature	Ambient (Nominal):	32°F to 125°F
Mounting	Position:	Any
Approvals*	Agency:	UL Recognized

* Not available for all variations

® Registered Trademark of DuPont Co.

Dimensions/Weight

Weight (lbs.)
1.8



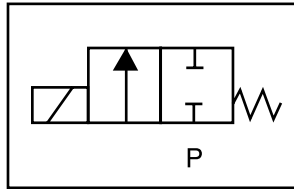
GC Valves Customer Service: 800-828-0484 (7:30am to 4pm ET) or 800-582-4232 (7:30am to 4pm PT)



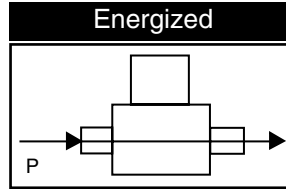
H401 – High Pressure, 3/8" NPT, Stainless Steel Body, Normally Closed

Valve Selection List

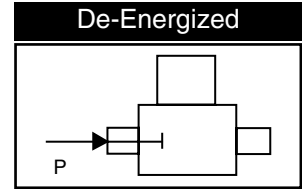
Normally Closed



Energized



De-Energized



Pipe Size NPT	Orifice Size IN	C _v	Minimum	Operating Pressure Differential (psi)						Max Fluid Temp. °F	Seal Material	Power Consumption (Watts)		Model Code (120V/60HZ — 110V/50HZ Shown)	
				Maximum								AC	DC		
				Air/Gas		Water		Light Oil				AC	DC	Stainless Steel Body	
				AC	DC	AC	DC	AC	DC						
3/8	3/8	1.5	0	2200	2200	2200	2200	2200	2200	230	Viton/ Teflon	10	10	H401GF02Z1CF5	

Part Numbering

1	2	3	4	5	6	7	8	9	10	11	12	13
H	4	0	1	G	F	0	2	Z	1	C	F	5
Series			Operating Mode	Housing*	Coil Class*	Voltage*		Seal Material	Body Material	Pipe Connection	Orifice Size	
H40			1: Normally Closed	G: Conduit	F: Class F	02: 120/60 110/50		Z: Viton/ Teflon	1: Stainless Steel	C: 3/8" NPT	F5: 3/8"	
* See the "Engineering Guide" for additional voltages, variations and options.												

Coil Data

Coil Family	
Type	Size
All	S4

Frequency (Hz)	60	50
Nominal Power (VA)	Inrush	46
	Holding	21

GC Valves Customer Service: 800-828-0484 (7:30am to 4pm ET) or 800-582-4232 (7:30am to 4pm PT)